

790 DUKE, grey 2023

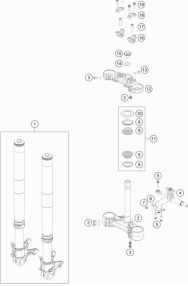
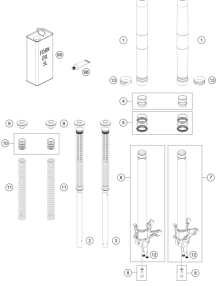
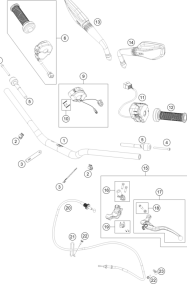

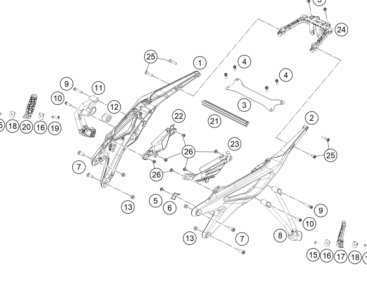
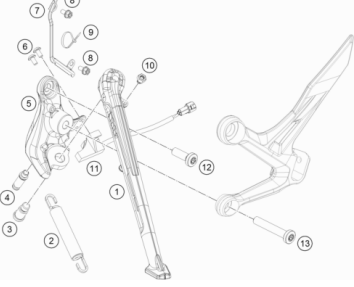
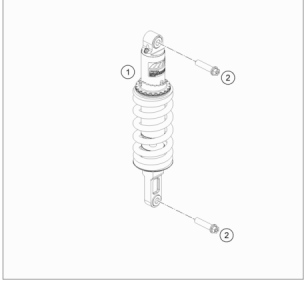
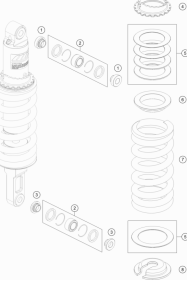
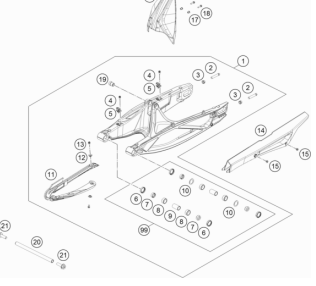
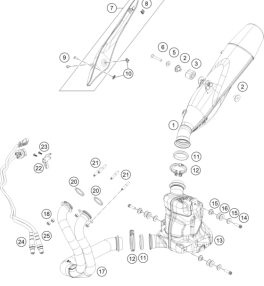
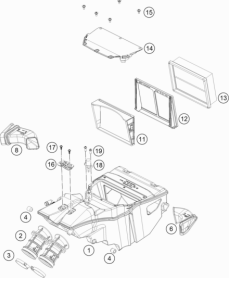
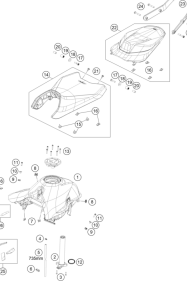
ART.-NR.: F9603WNEN

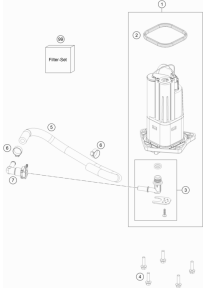
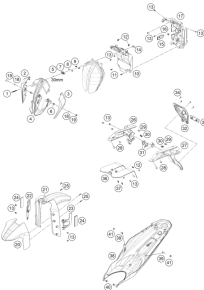
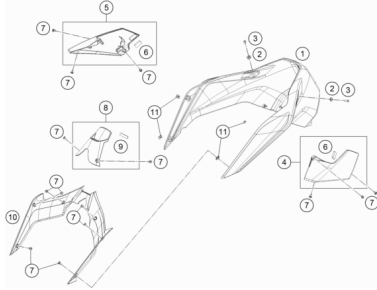
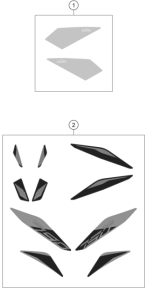
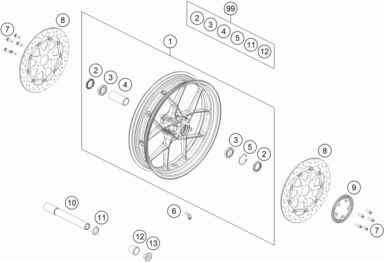
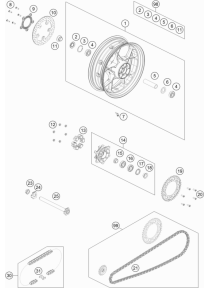

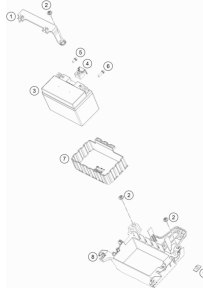
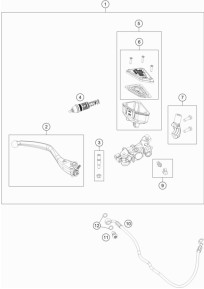
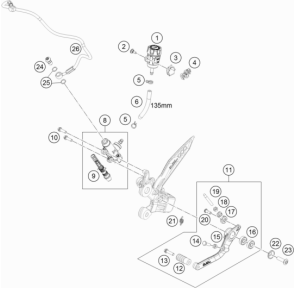
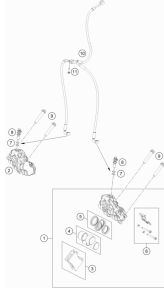
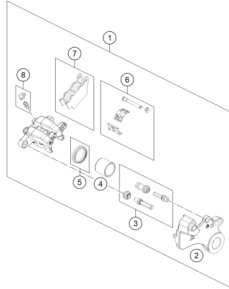


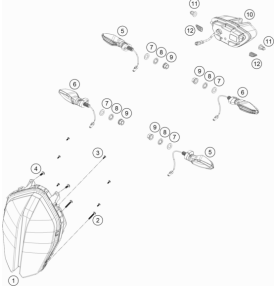
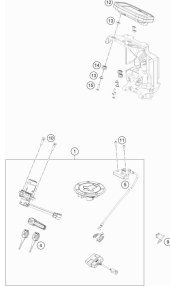
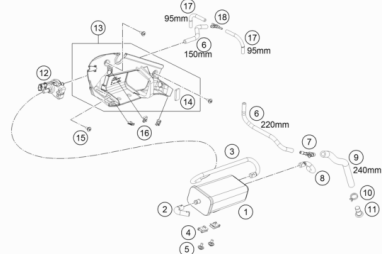
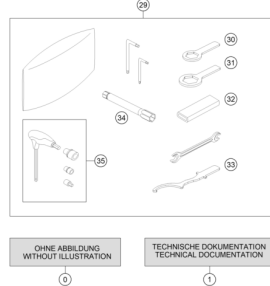
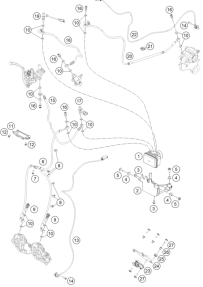
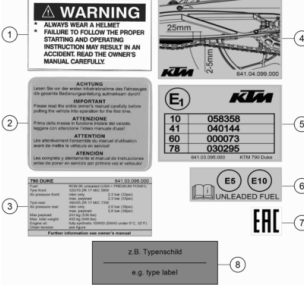


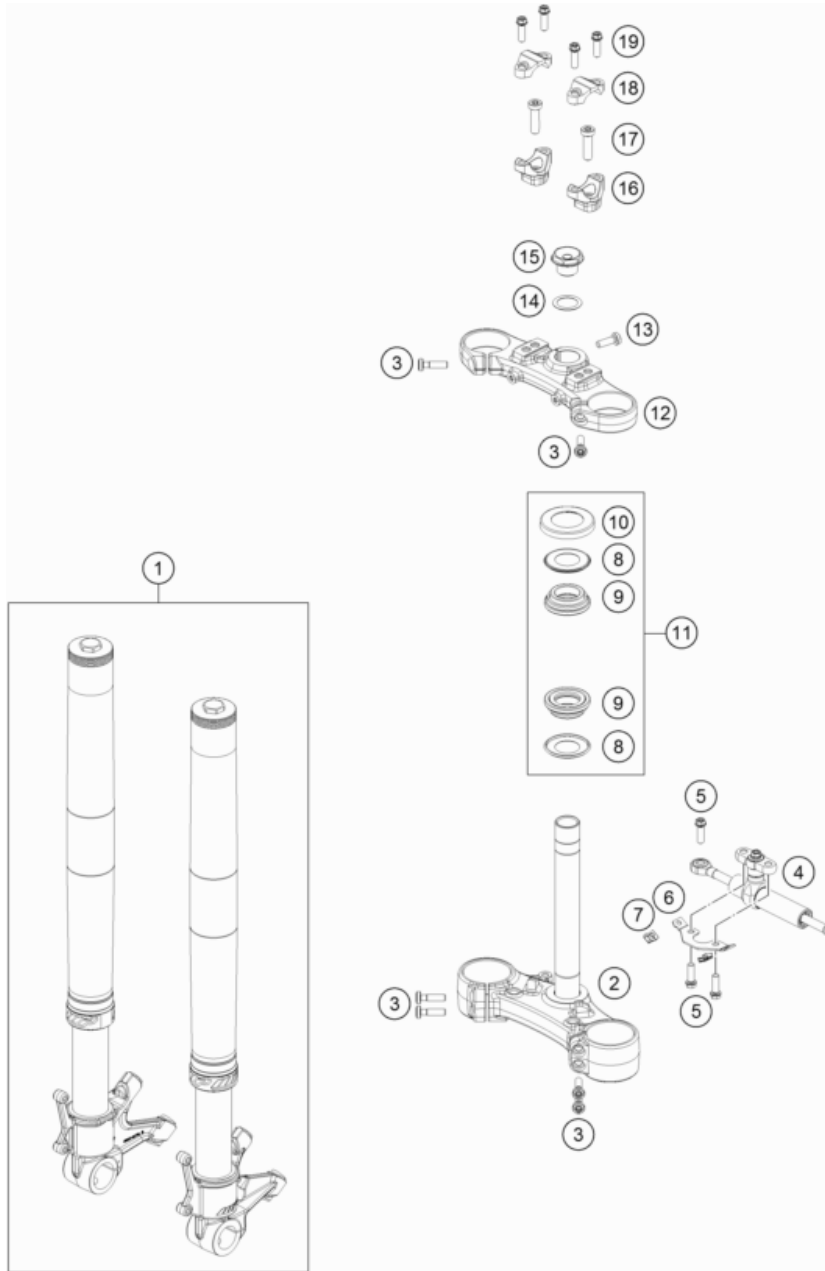
All information contained is without obligation. KTM Sportmotorcycle GmbH particularly reserves the right to modify any equipment, technical specifications, prices, colors, shapes, materials, services, service work, constructions, equipment and the like so as to adapt them to local conditions or to cancel any of the above items, all without previous announcement and without giving reasons. KTM may stop manufacturing certain models without previous notice. KTM shall not be held liable for any deviations of availability and/or ability to deliver, illustrations, descriptions, printing and/or other errors. The illustrated models partly contain extra equipment, which is not applied to standard models.

© by KTM Sportmotorcycle GmbH, Mattighofen AUSTRIA; All rights reserved; Reprint, also in extracts, with written allowance of KTM Sportmotorcycle GmbH, Mattighofen only.

<p>FRONT FORK, TRIPLE CLAMP</p>  <p>4</p>	<p>FRONT FORK DISASSEMBLED</p>  <p>5</p>	<p>HANDLEBAR, CONTROLS</p>  <p>6</p>	<p>FRAME</p>  <p>7</p>
<p>SUBFRAME</p>  <p>8</p>	<p>SIDE / CENTER STAND</p>  <p>9</p>	<p>SHOCK ABSORBER</p>  <p>10</p>	<p>SHOCK ABSORBER DISASSEMBLED</p>  <p>11</p>
<p>SWING ARM</p>  <p>12</p>	<p>EXHAUST SYSTEM</p>  <p>13</p>	<p>AIR FILTER</p>  <p>14</p>	<p>TANK, SEAT</p>  <p>15</p>

<p>FUEL PUMP</p>  <p>16</p>	<p>MASK, FENDERS</p>  <p>17</p>	<p>COVER</p>  <p>19</p>	<p>DECAL</p>  <p>20</p>
<p>FRONT WHEEL</p>  <p>21</p>	<p>REAR WHEEL</p>  <p>22</p>	<p>WIRING HARNESS</p>  <p>23</p>	<p>BATTERY</p>  <p>24</p>
<p>FRONT BRAKE CONTROL</p>  <p>25</p>	<p>REAR BRAKE CONTROL</p>  <p>26</p>	<p>FRONT BRAKE CALIPER</p>  <p>27</p>	<p>REAR BRAKE CALIPER</p>  <p>28</p>

<p>LIGHTING SYSTEM</p>  <p style="text-align: right;">29</p>	<p>INSTRUMENTS / LOCK SYSTEM</p>  <p style="text-align: right;">30</p>	<p>EVAPORATIVE CANISTER</p>  <p style="text-align: right;">31</p>	<p>SEPERATE ENCLOSURE</p>  <p style="text-align: right;">32</p>
<p>ANTIBLOCK SYSTEM ABS</p>  <p style="text-align: right;">33</p>	<p>TECHNIC INFORMATION STICKER</p>  <p style="text-align: right;">34</p>		



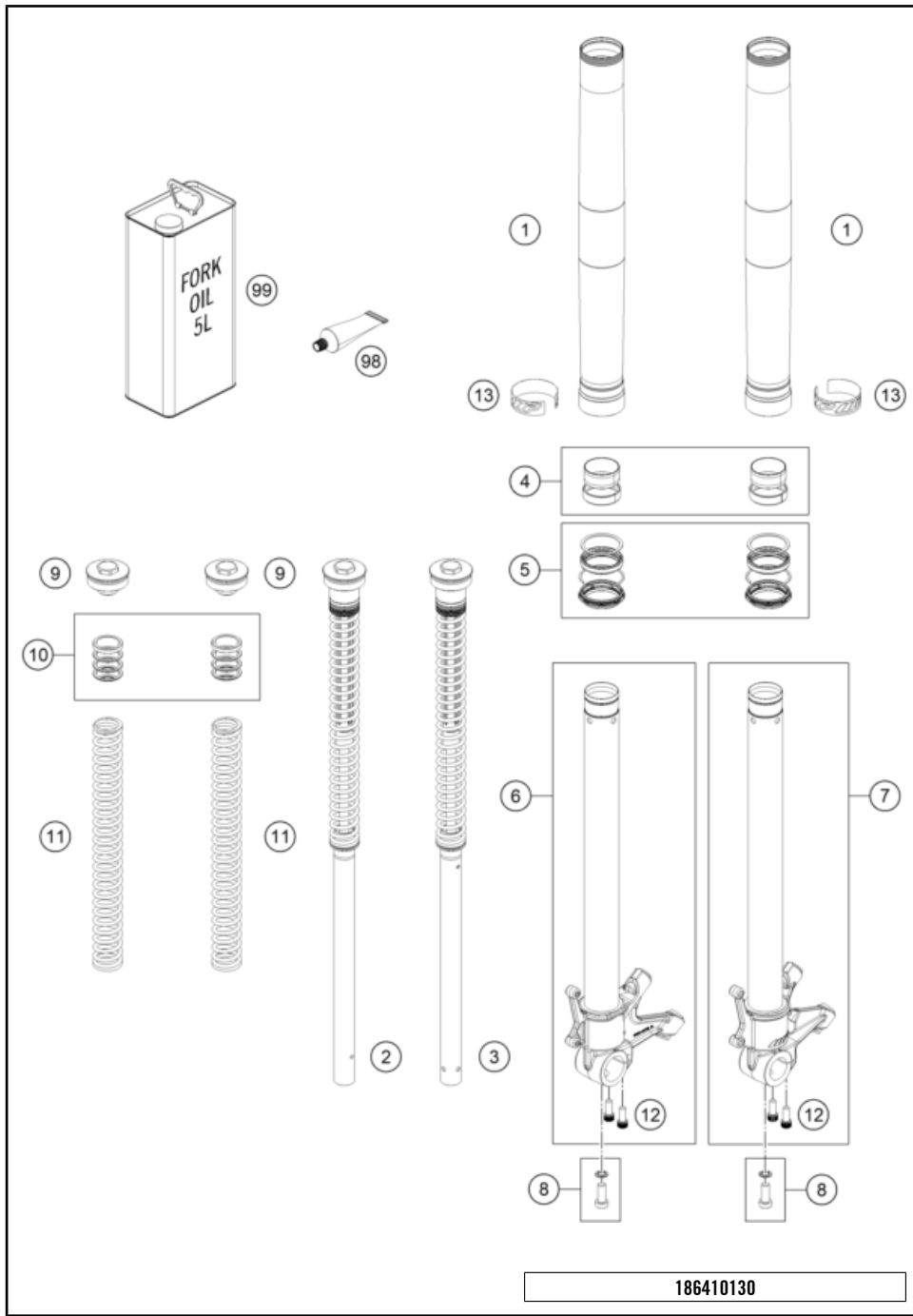
POS	PARTNUMBER		PIECE
1	C05586R2601	Fork 790 DUKE S 18	1
2	C90701032032C1	Lower triple clamp X=32 mm black Compl.	1
3	C0000350803000	SHCS M8x30 TX45	4
4	16181R54E	Steering damper cpl.	1
5	C0000250802500S	HH COLLAR SCREW M8X25 TX40	3
6	C90701044000C1	Retaining bracket brake line guide	1
7	69008021080	clip nut M5	2
8	C90701084000	Steering head gasket	2
9	C90701080000	Steering head bearing cpl.	2
10	C90701086000	PROT. RING STEER. HEAD BEARING	1
11	C90701081010	Steering head rep. Kit	1
12	C90701034032C1	Upper Triple Clamp	1
13	C0000350802500S	ISA collar screw M8x25 ISA45	1
14	0988253505	thrust wash DIN0988-25x35x0,5	1
15	C90701036000C1	Steering head screw	1
16	C90701039032C1	HANDLEBAR SUPPORT D=28 H=32 BL	2
17	C0000351003500S	ISA collar screw, M10x35 ISA45	2
18	C90701038000C1	HANDLEBAR CLAMP 28MM	2
19	C0000250802500	Hexagon collar screw M8x25	4

186410110

59412

* NEW PART

X ON DEMAND

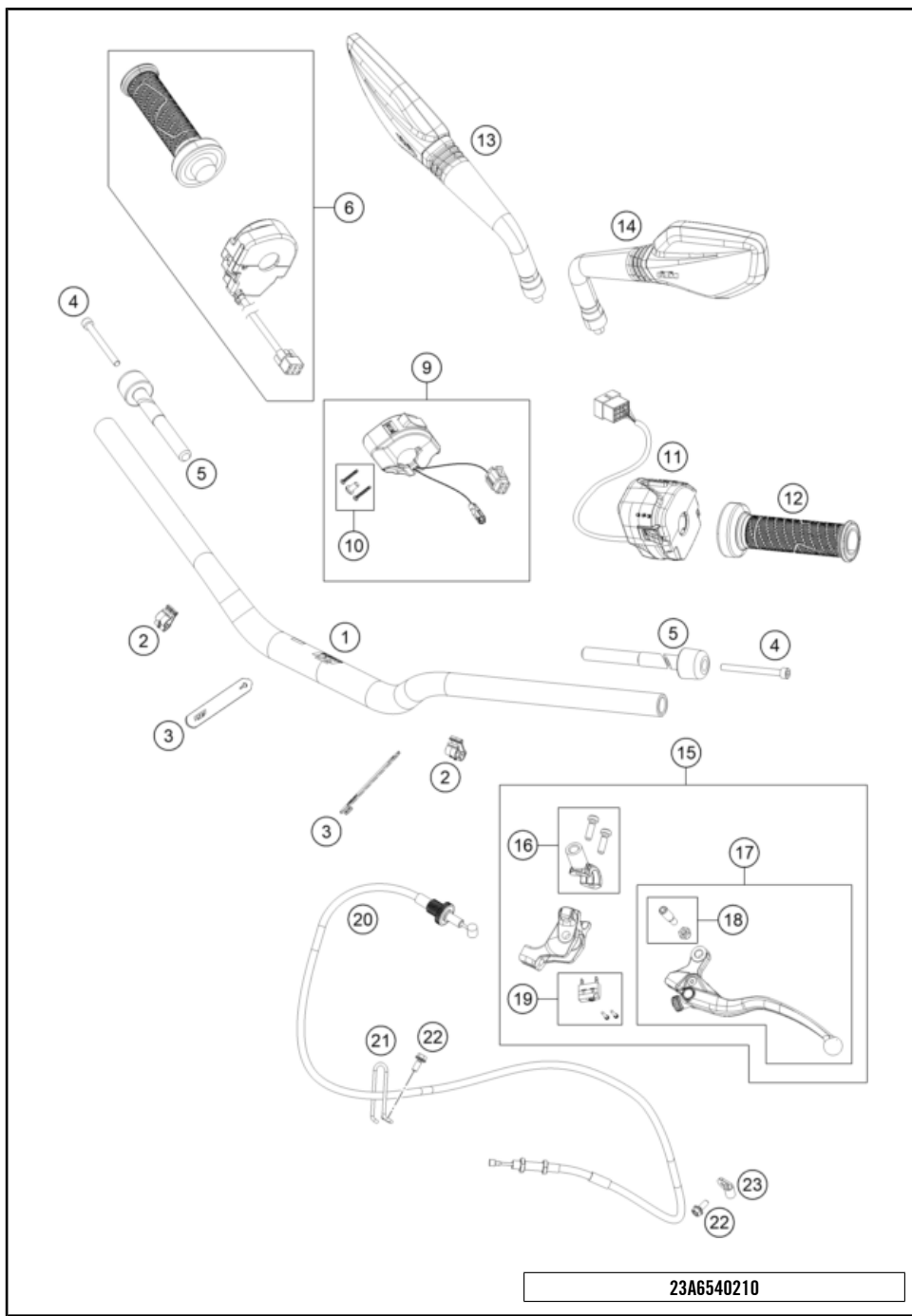


POS	PARTNUMBER		PIECE
1	43578098	Fork outer tube 44,13x515 dt54 db57	2
2	43578176S2	Cartridge right cpl. 790 Duke	1
3	43578195S1	Cartridge left cpl. 790 Duke	1
4	R14042	GUIDE BUSHING SET	1
5	R516	Fork sealing kit 43mm red	1
6	43578097S1	Fork shoe right d43mm cmpl.	1
7	43578096S1	Fork shoe left d43mm cmpl.	1
8	43578177S1	HS cylinder-head screw M10x25 set	1
9	43578140S1	Screw cover M51x1,5 cpl.	2
10	RP80002	Shim Kit Fork	1
11	95020004S	main spring (38,2) 5-7.8-345 set fork	x
11	43578135	Mainspring (37) 6-9-345 fork	1
11	95020005S	Main Spring (38.2) 7-10-345 set fork	x
12	0025080206	HH collar screw M8x20	4
13	52000148	Sticker WP India 160x19	2
98	T511	SILICONE GREASE F. DUST STRI	1
99	48601166S1	Fork Fluid Viscosity 4.0 5L	1

186410130

49900

* NEW PART X ON DEMAND



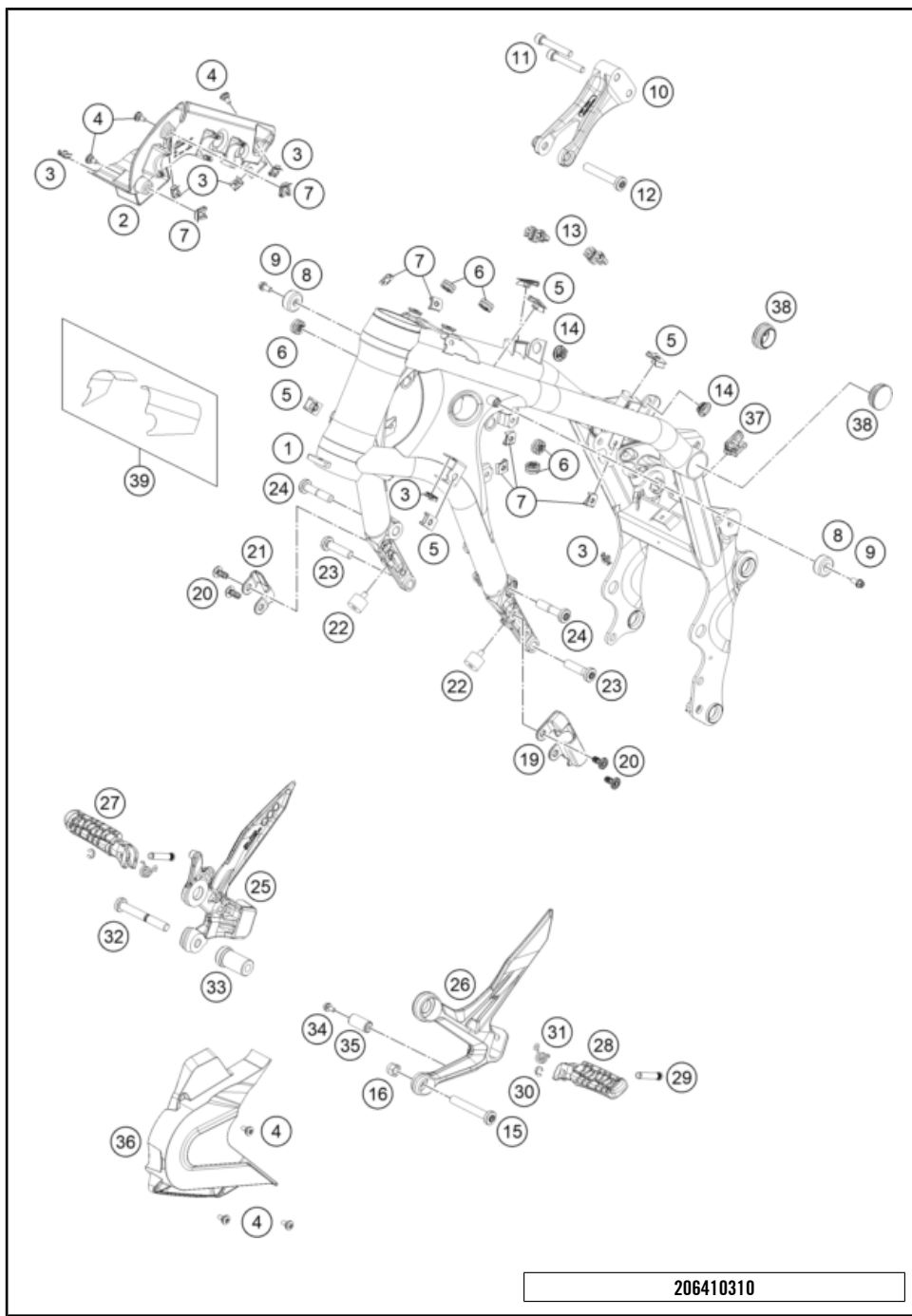
POS	PARTNUMBER		PIECE
1	A65402101000C1	Handlebar L = 743 mm diam. = 28.5 mm	1
2	C90713026000	Line guide	2
3	C90711093045	RUBBER CABLE TIE 45MM 03	2
4	0912060653	SHCS DIN 912 M6x65	2
5	C90702004000	handlebar weight	2
6	61711012044	Ride-by-Wire sys. cmpl. w/o grip heater	1
9	76011074000	emergency OFF switch	1
10	61411174010	Screw set start-stop switch	1
11	76011170200	Combination switch	1
12	61702039000	Fixed grip without heating	1
13	C90712041000	MIRROR R/S	1
14	C90712040000	MIRROR L/S	1
15	A65402031000C1	Clutch lever cmpl. blk.	1
16	6410204400030	Clamp cpl.	1
17	6410204000030	Clutch lever cpl.	1
18	64102038000	Kit lever pin	1
19	64111049000	Lever switch	1
20	C90102090000	Clutch cable	1
21	C90702097000	Clutch cable wire guide	1
22	C0000250501200	HH collar screw M5x12 TX30	2
23	64132070000	PVC clamp 6.4 MM Heyman	1

23A6540210

62237

* NEW PART

X ON DEMAND



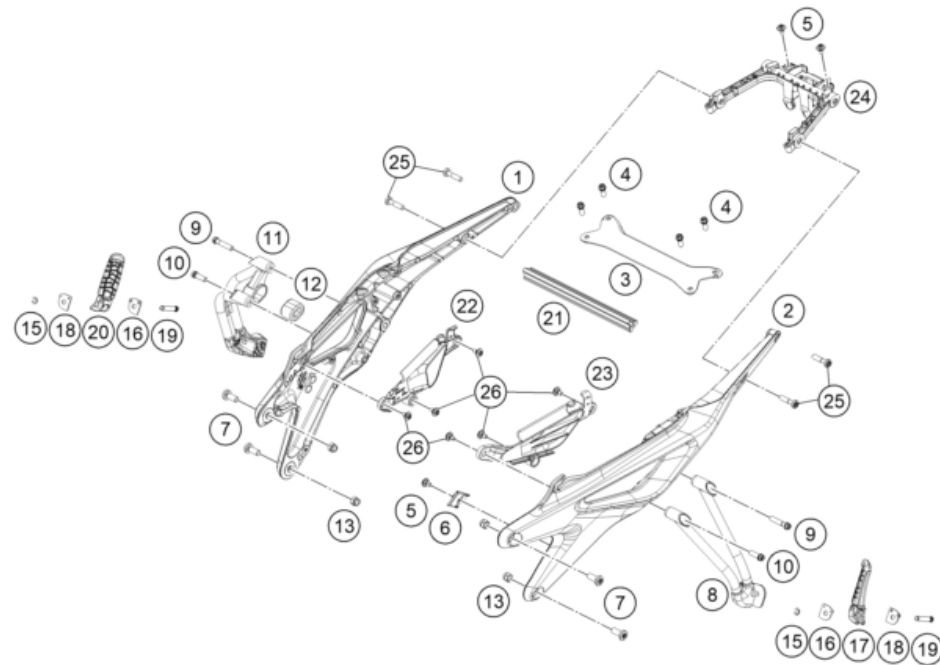
206410310

POS	PARTNUMBER		PIECE
1	C90103001000C1	Frame 641 RA black	1
2	C90703082000	Fairing frame right	1
3	69008021080	clip nut M5	6
4	C90708021160	Special screw M5x12	6
5	54603048100	clip nut M6	5
6	C90742041000	Damper ABS modulator	5
7	54603048200	RANGE CHANGE METAL NUT M5	7
8	C90707014000	Fuel tank role	2
9	C0000250601200S	Hex collar screw M6x12 ISA30 self-lockin	2
10	C90703013000C1	Engine strut black	1
11	C0145790805000S	CYL. SCREW DIN14579 M8X50 SS	2
12	C0000351006000S	AH-COLLAR SCREW M10X60 ISA45	1
13	C90742046000	Bracket ABS line d7.5	2
14	C90706003060	Quick-lock coupling	2
15	C0000351006500S	ISA screw, M10x65 ISA45	1
16	54310086100	SELF LOCKING NUT M10 CU WS=14	1
19	C90703034000	Cable guidance left	1
20	C90703034020	Fastening plug M8	4
21	C90703035000	Cable guidance right	1
22	C90705062000	silentbloc 20x15-M6x10-(1)	2
23	C0000351004000S	ISA collar screw M10x40 ISA45	2
24	C0000351004500S	ISA screw M10x45 ISA45	2
25	C90703039000C1	Front footpeg bracket, right	1
26	C90703038000C1	Front footpeg bracket left	1
27	C90703041000	FOOTREST FRONT R/S CPL. 05	1
28	C90703040000	FOOTREST FRONT L/S CPL. 05	1
29	C90703044000	footrest bolt, rear	2
30	0799060003	retaining washer DIN 6799 - 6	2
31	C90703042000	RETURN SPRING FOOTREST	2
32	C0000351008000S	ISA collar screw M10x80 ISA45	1
33	C90703039001C1	Distance piece	1
34	0025050106S	Hex coll. screw M5x10 ISA30 self-locking	1
35	C90703038001C1	Roller	1
36	C90703096000	Front sprocket cover	1
37	64111059020	Cable holder, attachable	1
38	C90703088000	Locking cap frame	2
39	C90703092044	Set protection sticker frame	1

59414

* NEW PART

X ON DEMAND



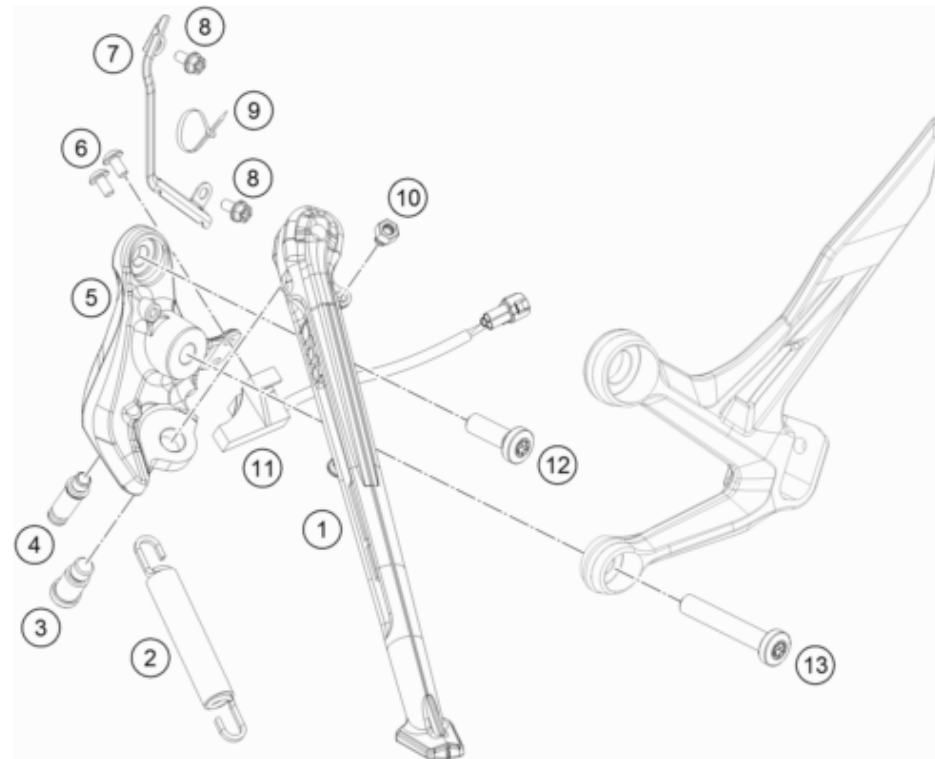
POS	PARTNUMBER		PIECE
1	C9070300200624	Subframe right dark grey metallic	1
2	C9070300200524	Subframe left dark grey metallic	1
3	C90703002004C1	Cross member	1
4	C0000250801800S	HH collar screw M8x18 ISA40 SS	4
5	C90708000012	special screw M6x12x3	3
6	C90703002010	Cable bracket	1
7	C0000351003000S	SHCS M10x30 TX45	4
8	C90703048000C1	Footrest carrier rear/left	1
9	C0000250804500S	Hexagon collar screw M8x45 ISA40 self-lo	2
10	C0000250802500S	HH COLLAR SCREW M8X25 TX40	2
11	C90703049000C1	Footrest carrier rear/right	1
12	C90705068000	DAMPING RUBBER	1
13	54310086100	SELF LOCKING NUT M10 CU WS=14	4
15	0799060003	retaining washer DIN 6799 - 6	2
16	C90703152000	ENGAGE PANEL FOOTREST L/S 03	2
17	C90703050000	FOOTREST CPL. L/S REAR 03	1
18	C90703052000	ENGAGE PANEL FOOTREST R/S 03	2
19	C90703044000	footrest bolt, rear	2
20	C90703051000	FOOTREST CPL. R/S REAR 03	1
21	64103004100	Brace subframe	1
22	C90706041050	Cover intake port right	1
23	C90706040050	Cover intake port left	1
24	C90708019050	rear reinforcement	1
25	C0000350803500S	SCREW M8X35 ISA45 SS	4
26	C90708000015	SPECIAL SCREW M6X15X3	6

206410315

59415

* NEW PART

X ON DEMAND



POS	PARTNUMBER		PIECE
1	C90703023000C1	Sidestand	1
2	61003024000	SPRING L=116 MM 05	1
3	C90703027200	SCREW FOR SIDE STAND M10X31,2	1
4	C90703028001	Special screw stand spring	1
5	6410302610033	Side Stand Bracket	1
6	58605083014	SCREW M5X14 TORX 25 07	2
7	C90703001099	Racket side-stand-cable	1
8	0025050106	HH collar screw M5x10 TX30	2
9	C90011076140	CABLE TIE 140/2,5MM BLACK	3
10	90103029000	MAGNET HOLDER	1
11	93511045000	SWITCH SIDE STAND	1
12	C0000351003000S	SHCS M10x30 TX45	1
13	C0000351006000S	AH-COLLAR SCREW M10X60 ISA45	1

186410360

59423

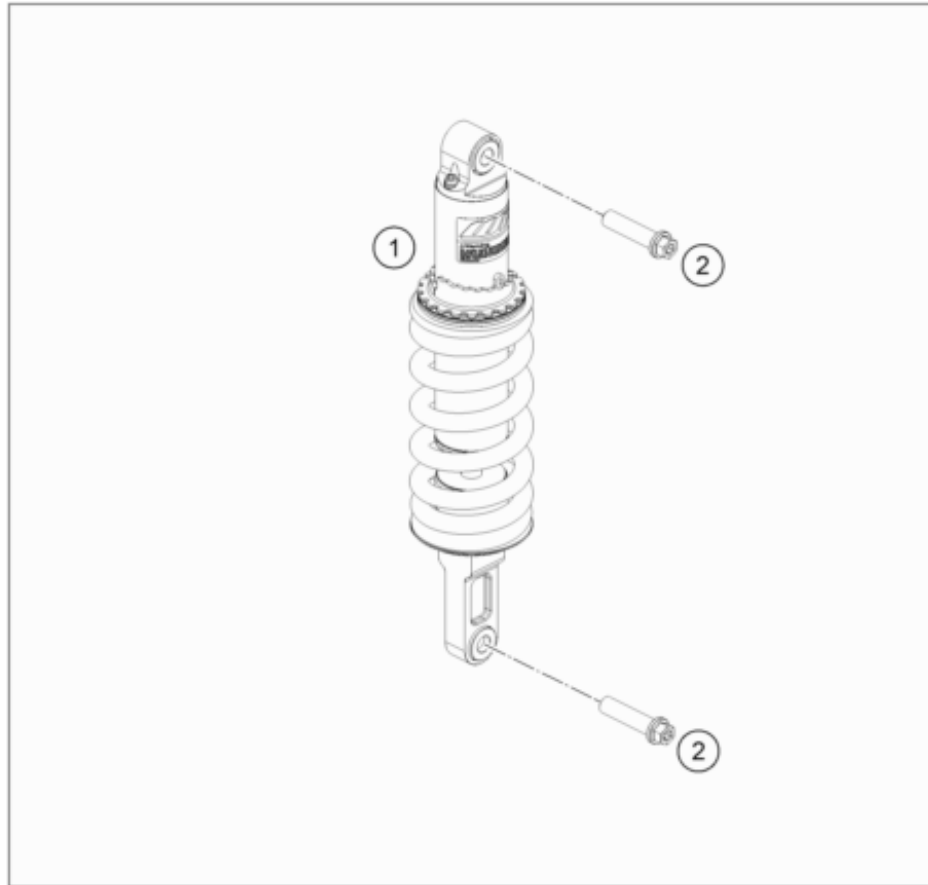
* NEW PART

X ON DEMAND

SHOCK ABSORBER

790 DUKE, grey 2023

POS	PARTNUMBER		PIECE
1	C01584R2601	Shock absorber 790 DUKE S 18	1
2	C0000251205000S	HH COLLAR SCREW M12X50 TX45	2

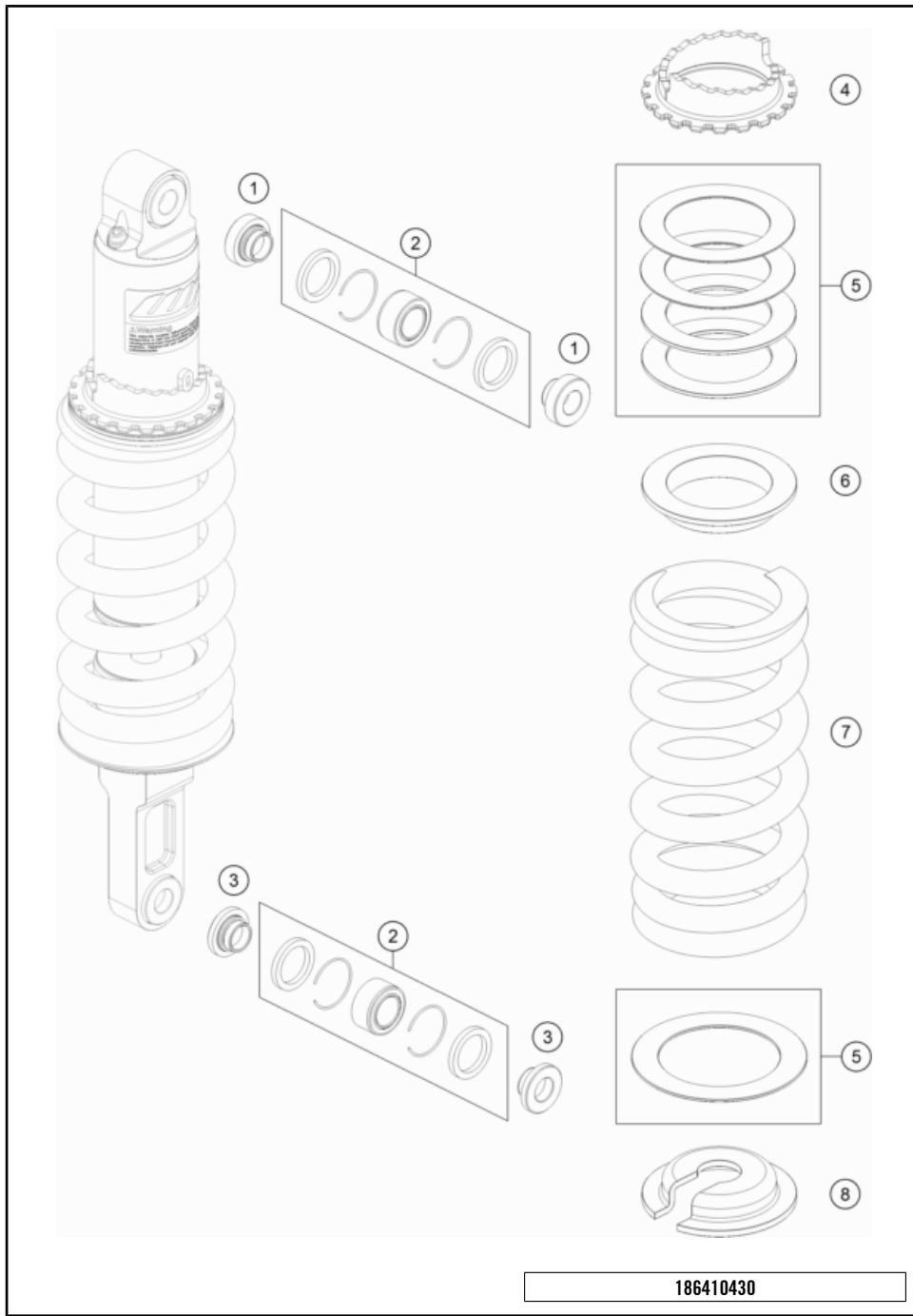


186410410

59428

* NEW PART

X ON DEMAND

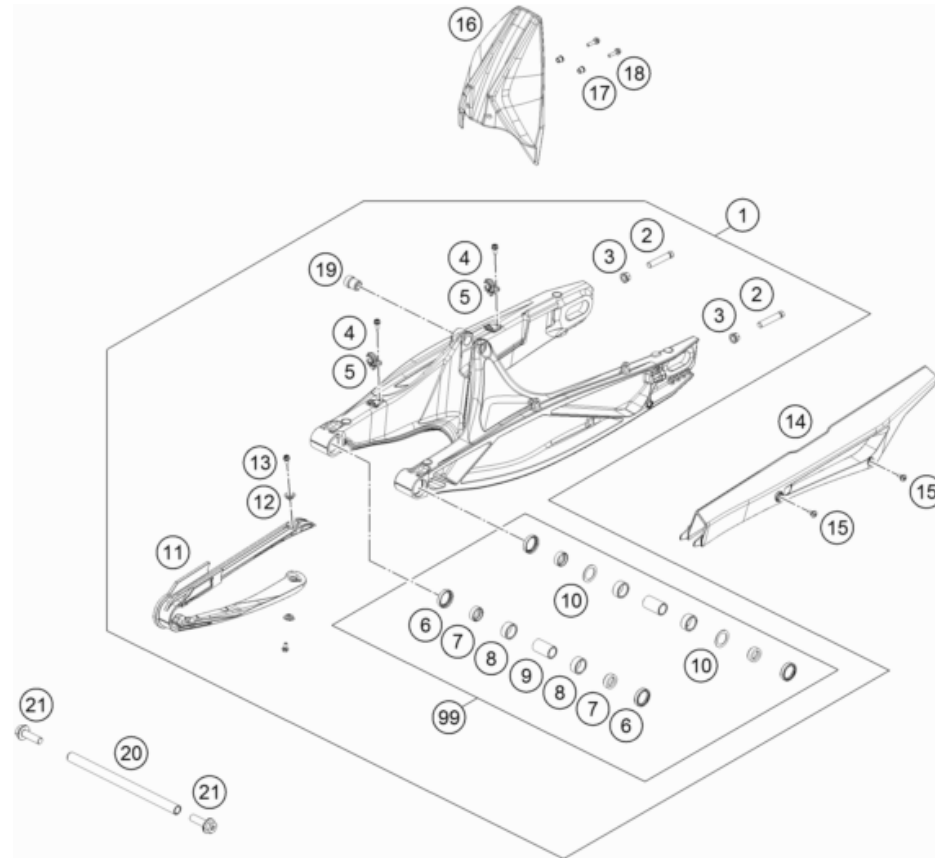


POS	PARTNUMBER		PIECE
1	46180064	Bearing bush 12x15/18/24,5x13,5	2
2	R12012	Ball joint bearing kit top 12mm	1
3	46180007	Distance bush 12x15/18/24,5x10,5	2
4	46148166	PA adjuster	1
5	RP80004	Washer kit shock absorber	1
6	46148041	Spring retainer 50,5x56,5x3	1
7	91020031	Main spring (59) 115-140-185 shock white	x
7	46148204	Spring l=185mm 130-160N/mm	1
7	91020032	in spring (59) 145-180-185 shock white	x
8	46148098	Spring retainer 21x54,8x-8	1

186410430

49901

* NEW PART X ON DEMAND



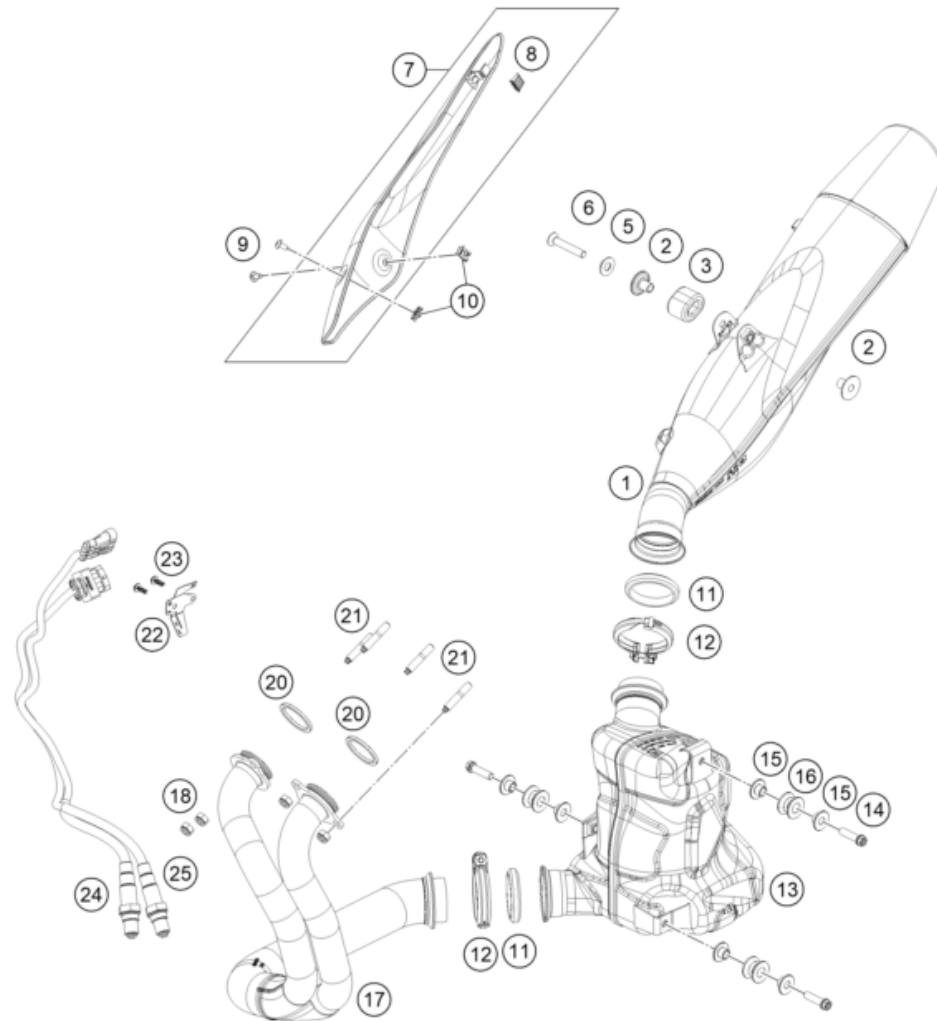
POS	PARTNUMBER		PIECE
1	C90704030044C1	Swingarm cpl. black	1
2	C90704040100	Screw M10x1.25x50 WS10	2
3	58414030000	HH COLLAR NUT M10X1,25 WS=13	2
4	C0000250501200	HH collar screw M5x12 TX30	2
5	C90704142000	Brake hose bracket	2
6	C0760002532000	radial shaft seal 25x32x7	4
7	C90704034000	BUCKET F. SHAFT SEAL RING 03	4
8	C0430002201200	Needle bushing 22x28x12	4
9	C90704032000	BEARING SLEEVE 17X22X38,7 03	2
10	C90703036000	Stop disk 22.2x31.7x1	2
11	C90704066000	chain slide protection	1
12	C90704066050	Bushing chain slider	2
13	0025050106	HH collar screw M5x10 TX30	2
14	C90704061000	Chain guard	1
15	C90708021160	Special screw M5x12	2
16	C90704050000	Rear Fender	1
17	C90704050010	Bushing 5,5x8,3x9	2
18	C0000250502000	HH collar screw M5x20 TX30	2
19	C90704030020	Bushing Shock Mounting	1
20	64104037000	swing arm bolt	1
21	C90704038000	Special screw M12x40 WS19	2
99	C90704030010	SCHWINGEN REP. KIT	x

186410490

59429

* NEW PART

X ON DEMAND



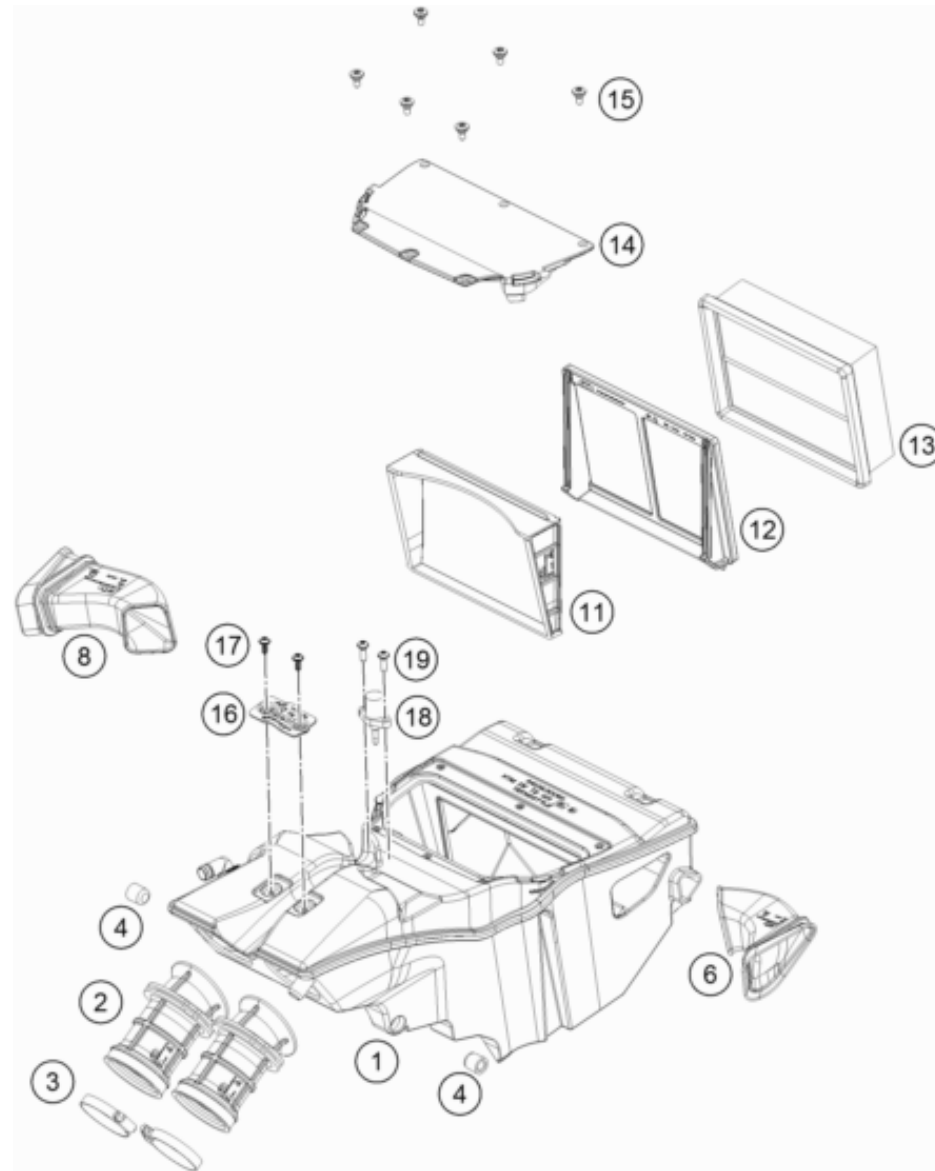
POS	PARTNUMBER		PIECE
1	C90705083000	Silencer	1
2	C90705169000	BUSHING 8,5X11X29	2
3	C90705068000	DAMPING RUBBER	1
5	C90705069000	conical seat Alu	1
6	C0000190805000	COUN.-SUNK SCREW M8X50 ISA10.9	1
7	C90705011000	Head Protection with mounting	1
8	C90705011011	Damper silicon	1
9	78105081010	SCREW TORX M5X10	2
10	54603048600	RANGE CHANGE METAL NUT M5 INOX	2
11	C90705005005	Manifold gasket	2
12	63605058000	Exhaust clamp tube 50 mm	2
13	C90705050100	Premuffler preassembled EU/US KTM	1
14	C0000250803500S	HH COLLAR SCREW M8X35 TX40	3
15	C90705050065	Collar bushing 8.5x12x23.5x10	6
16	C90705067000	damp. component silicone grey	3
17	C90705007000	Header pipe	1
18	51010086100	self-locking nut M8 Cu	4
20	C90705005000	Exhaust gasket	2
21	63505015000	stud screw 835 M8x25 - 10.9	4
22	C90742040020	Bracket oxygen sensor socket connector	1
23	0081050141	EJOT PT screw K50x14	2
24	63541090000	O2 Sensor LSF 4	1
25	63541190000	O2 Sensor LSF 4	1

226410510

59439

* NEW PART

X ON DEMAND



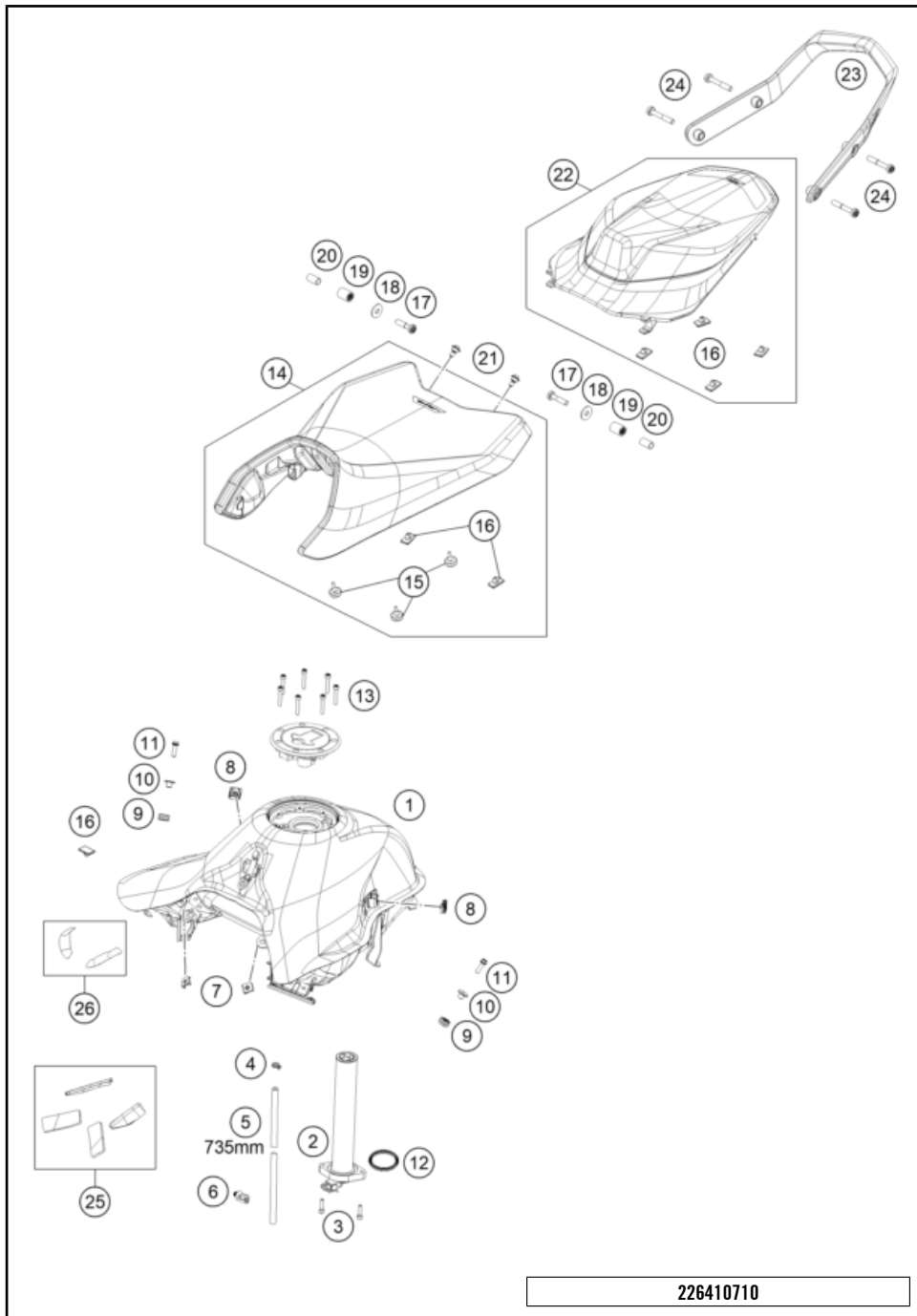
POS	PARTNUMBER		PIECE
1	C90706001000	Air filter box	1
2	C90706026000	Velocity stack	2
3	77236048000	HOSE CLAMP GEMI 58MM	2
4	C90706014000	Rubber grommet	2
6	C90706040000	Left intake snorkel	1
8	C90706041000	Right intake snorkel	1
11	C90706001050	Filter clamp, wedge	1
12	C90706016000	Filter clamp, frame	1
13	C90706015000	Air filter	1
14	C90706002000	Air filter box cover	1
15	C90708021160	Special screw M5x12	6
16	C90706001030	Cable bracket	1
17	0081050121	EJOT PT screw K50x12	2
18	61041080000	AMBIENT-AIR TEMPERATURE SENSOR	1
19	0081050161	EJOT PT SCREW K50X16 1451	2

196410610

59440

* NEW PART

X ON DEMAND



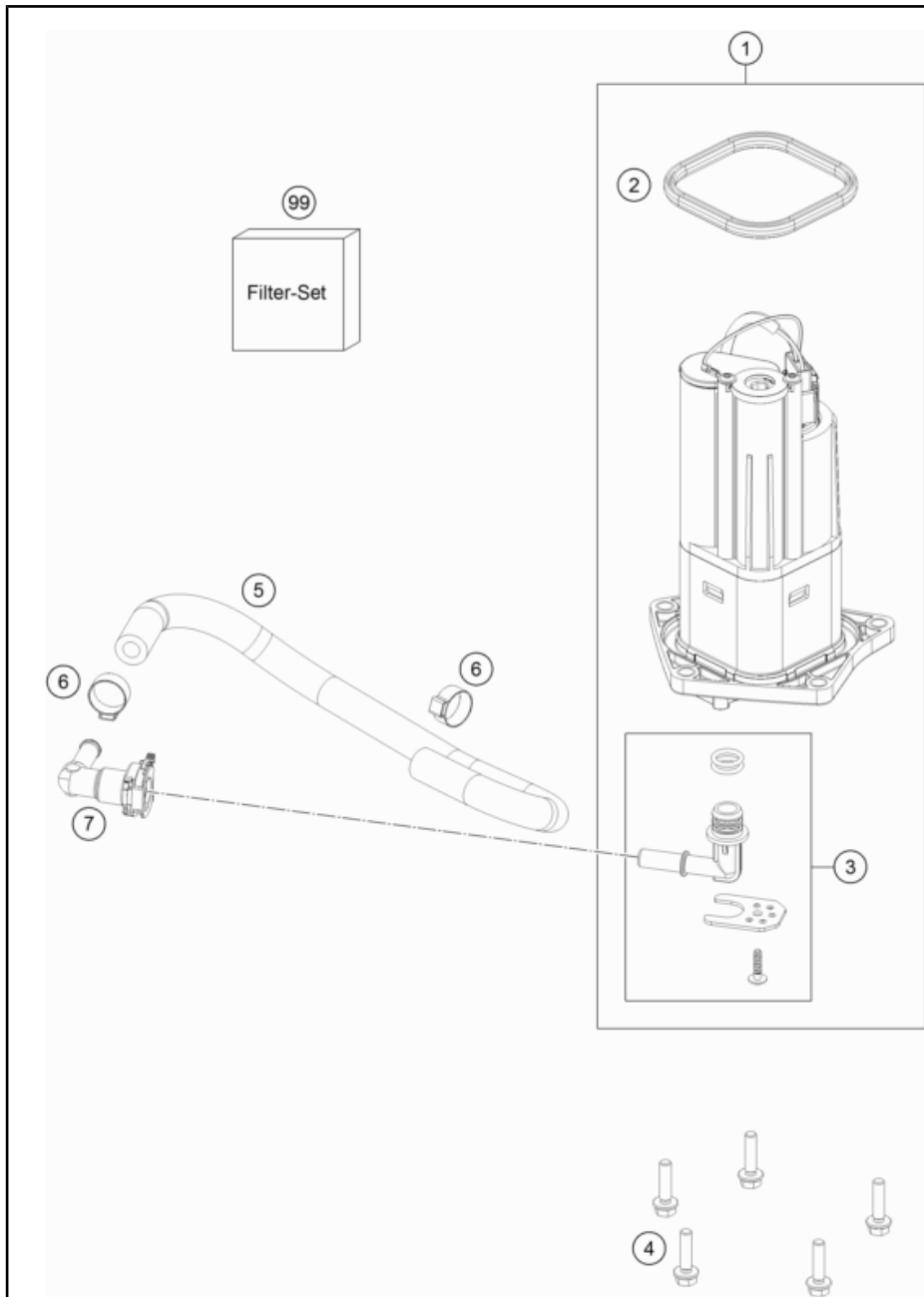
POS	PARTNUMBER		PIECE
1	C90707013000CB	Fuel tank steel	1
2	64107080200	Fuel lever sensor	1
3	0912050203	AH SCREW DIN0912-M 5X20	2
4	59007017000	CLAMP YDNAC 10096F (9,6MM)	1
5	C90715019735	Hose 6x10 FKM/ECO L 735	1
6	C90711092000	CABLE TIE W. SOCKET D=6,5	1
7	54603048200	RANGE CHANGE METAL NUT M5	2
8	54603048300	RANGE CHANGE METAL NUT M6 INOX	2
9	C90742041000	Damper ABS modulator	2
10	61342041100	Collar bushing 6,5x9x18x8,5	2
11	C0000250602000	HH collar screw M6x20 ISA30	2
12	C90707080090	Gasket fuel level sensor	1
13	014579050166	Cap hd. screw ISO14579, M5x16-8.8, black	7
14	C90707040000	rider seat cpl.	1
15	C90706001021	Abstandsgummi	3
16	C90707040041	Isolation pad	7
17	C0000250804000S	Collar screw M8x40 ISA40 SS	2
18	0021080003	WASHER DIN9021-A 8,4	2
19	C90707046000	Rubber seat cowl pad	2
20	C90707049000	Bushing 8.4x12x21.5	2
21	0900000601500S	Special screw M6x15x5,5-8.8 MK	2
22	C90707047033	Passenger seat cpl.	1
23	C90712008000	Grip handle passenger	1
24	0035080506S	AH-COLLAR SCREW M8X50 ISA45	4
25	C90707012000	Tank Protection Set Metamoll	1
26	C90707013040	protectionfoil tank set	1

226410710

59441

* NEW PART

X ON DEMAND



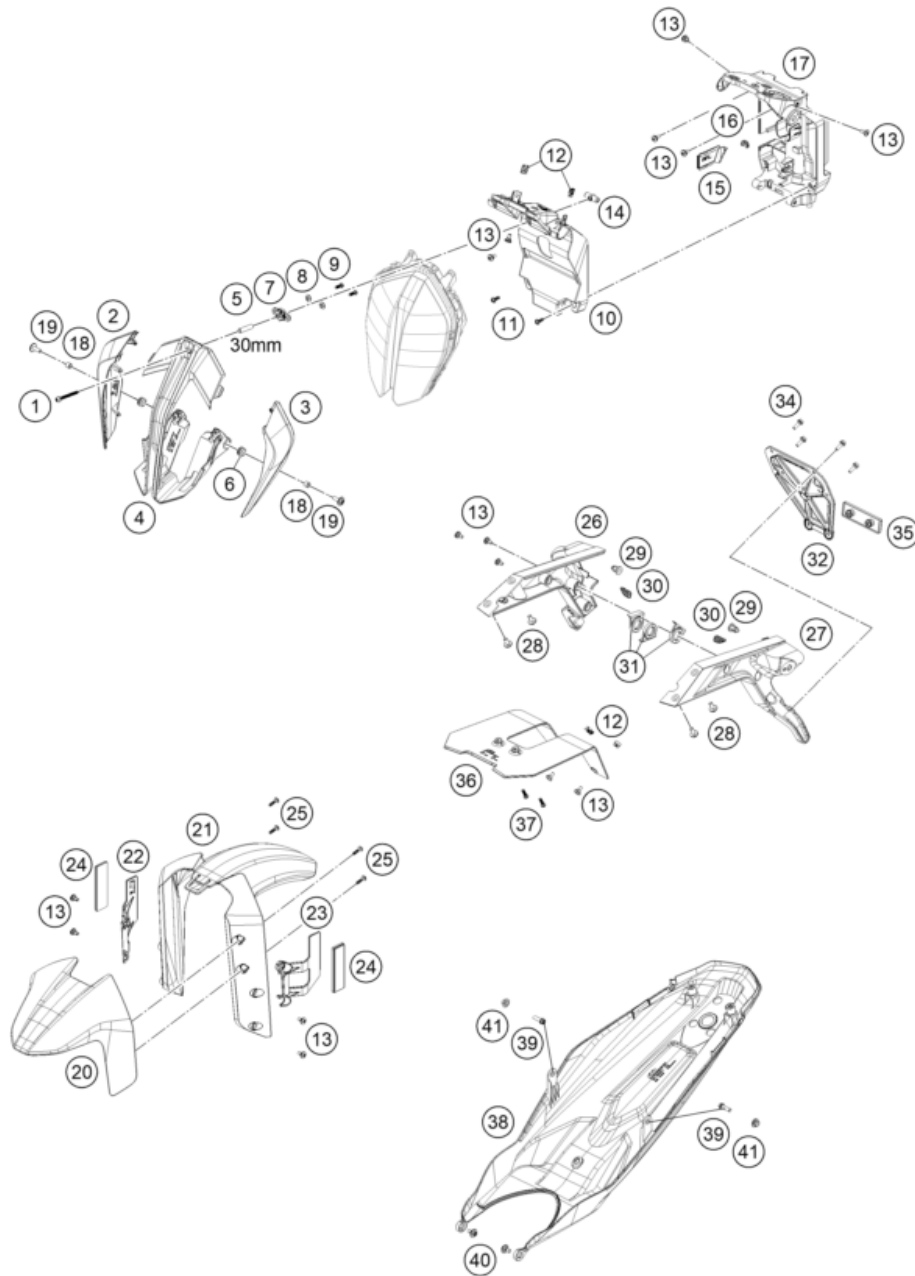
POS	PARTNUMBER		PIECE
1	64107088100	Fuel pump	1
2	64107189000	Sealing	1
3	64107092000	Hydraulic connection	1
4	C0000250502000	HH collar screw M5x20 TX30	5
5	C90007116040	fuel hose with protective cover	1
6	C00050157706	variable one-year clamp 15.7mm	2
7	C90007128000	fuel coupling angle piece	1
99	64107090000	Filter kit	x

186410730

59442

* NEW PART

X ON DEMAND



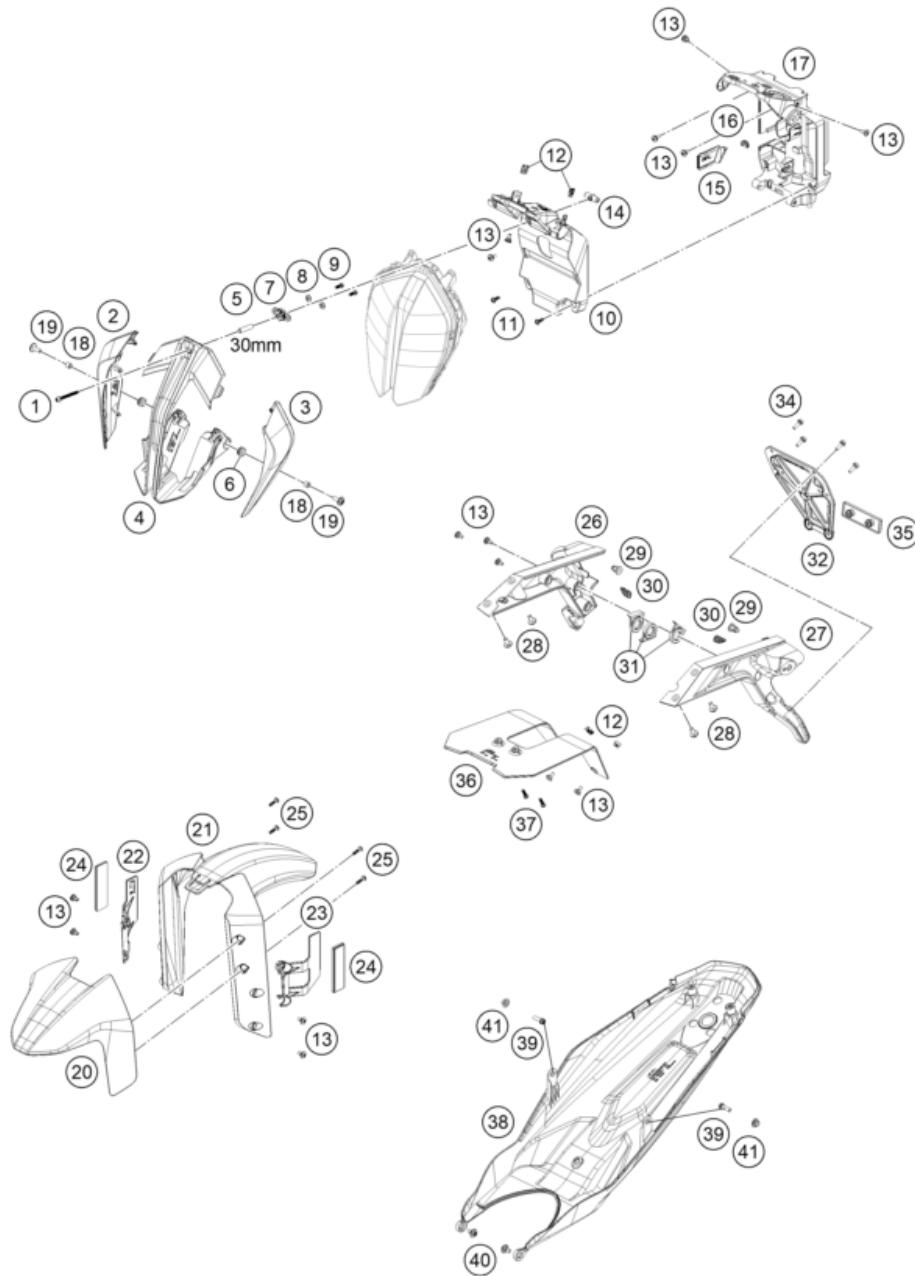
186410810

POS	PARTNUMBER		PIECE
1	61614020010	EJOT PT SCHRAUBE 50X54	1
2	C90708002000C1	Mask spoiler right	1
3	C90708003000C1	Mask spoiler left	1
4	C90708001000C1	Headlight mask intermediate section bl.	1
5	C90714018030	hose D 6/8 EPDM L 30	1
6	C90706001022	Rubber grommet 9x11x16x8.5	2
7	C90714020000	Ballhead holder	1
8	C90712032010	BUSH 13X7X3,3	2
9	0081250141	SCREW FOR PLASTIC PT K50X14T25	2
10	C90714010010	Cover mask support	1
11	0081050141	EJOT PT screw K50x14	2
12	54603048600	RANGE CHANGE METAL NUT M5 INOX	4
13	C90708021160	Special screw M5x12	15
14	C90714019000	Screwshaft	1
15	C90714010030	Cable Cover Maskcarrier	1
16	C90714010040	Wire support sleeve, mask support	1
17	C90714010044	Maskcarrier EU assembled	1
18	C90714014000	BUSHING 6,1X9,2X7,5 08	2
19	C90714017000	SPECIAL SCREW M6X18 ISA30 08	2
20	C90708010000C1	Fender Front Part	1
21	C90708011000	Fender rear Part	1
22	C90712084000	Bracket reflector right	1
23	C90712083000	Bracket reflector left	1
24	C90712080000	SIDE REFLECTOR YELLOW "CEV"	2
25	0081050181	SCREW FOR PLASTIC K50X18 T20	4
26	C90708015020	Numberplate holder right	1
27	C90708015010	Numberplate holder left	1
28	C0000250601600S	Hexagon collar screw M6x16 ISA30 self-lo	4
29	C90708015060	Rubber damper top	2
30	C90708015070	Rubber damper bottom	2
31	C90708015050	cable holder numberplate holder	3
32	C90712085000	Bracket reflector	1
34	C0000250501600S	HH Collar Screw M5x16 ISA30 SS	4
35	C90712082000	Rear reflector red	1
36	C90708023010	Splash protection	1
37	0081050121	EJOT PT screw K50x12	2
38	C90708019000	Tail Underpart	1
39	C0000250602000	HH collar screw M6x20 ISA30	2

60038

* NEW PART

X ON DEMAND



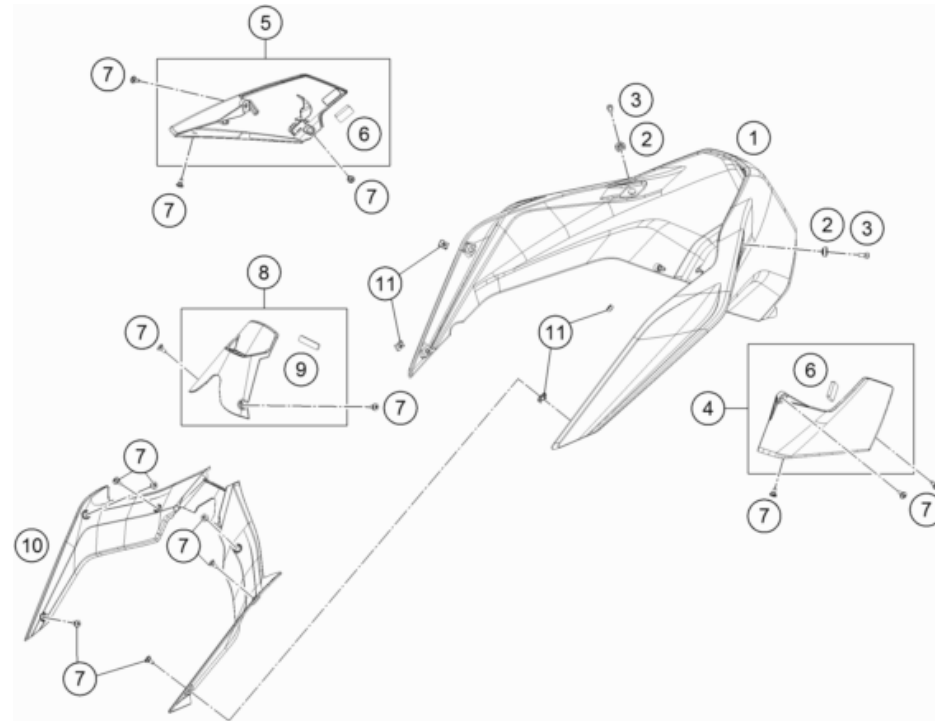
POS	PARTNUMBER		PIECE
40	C9070800012	special screw M6x12x3	2
41	C90708053000	Collar bushing 6x11x16x7.5	2

186410810

60038

* NEW PART

X ON DEMAND



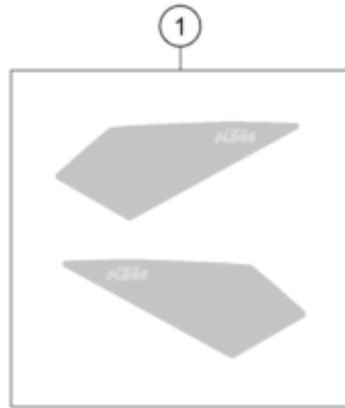
POS	PARTNUMBER		PIECE
1	C90708054000BS	Fuel tank fairing	1
2	C90708045000C1	Special washer D=16.5 black	2
3	014580060141	Cap head screw ISO 14580 M6x14	2
4	C90708070044	Side fairing left	1
5	C90708071044	Side fairing right	1
6	C90708070050	Metamoll for side fairing	2
7	C90708021160	Special screw M5x12	14
8	C90711068044	Ignition lock cover compl.	1
9	C90711068010	Cellular rubber 45x10x3	1
10	C90708064000	Fuel tank fairing front	1
11	69008021080	clip nut M5	4

186410815

59444

* NEW PART

X ON DEMAND



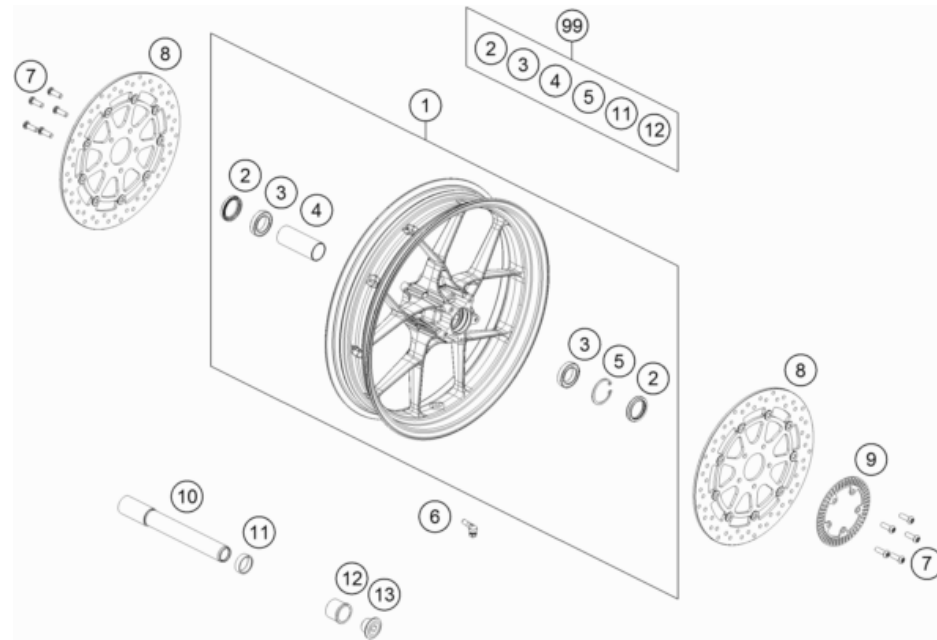
POS	PARTNUMBER		PIECE
1	C90708098000	Sticker set KTM	1
2	C90708099100	Graphics kit 790 DUKE gray	1

226410830

59467

* NEW PART

X ON DEMAND



POS	PARTNUMBER		PIECE
1	6410900103330	Front wheel 3.5x17 cpl. black	1
2	0760354771	SHAFT SEAL RING 35X47X7 TC	2
3	0625069068	GR.BALL BEAR.6906 DDU2CG23S6NM	2
4	61009011000	BEARING SPACER TUBE FRONT 05	1
5	0472047175	CIRCLIP DIN0472-47X1,75	1
6	C90709076000	Angle valve	1
7	C90709062000	SPECIAL SCREW M8X25 SS TX40	10
8	64109060000	brake disc front D=300 mm	2
9	C90742020000	Sensor wheel front	1
10	61009081200	Wheel spindle, front wheel	1
11	C90709013000	SPACER BUSH. FR. WHEEL R/S 03	1
12	C90709012000	Spacer front wheel, left	1
13	C90709082000	AH SCREW M25X1,5 WS=12 05	1
99	C90709015000	Front Wheel Repair Kit	1

186410910

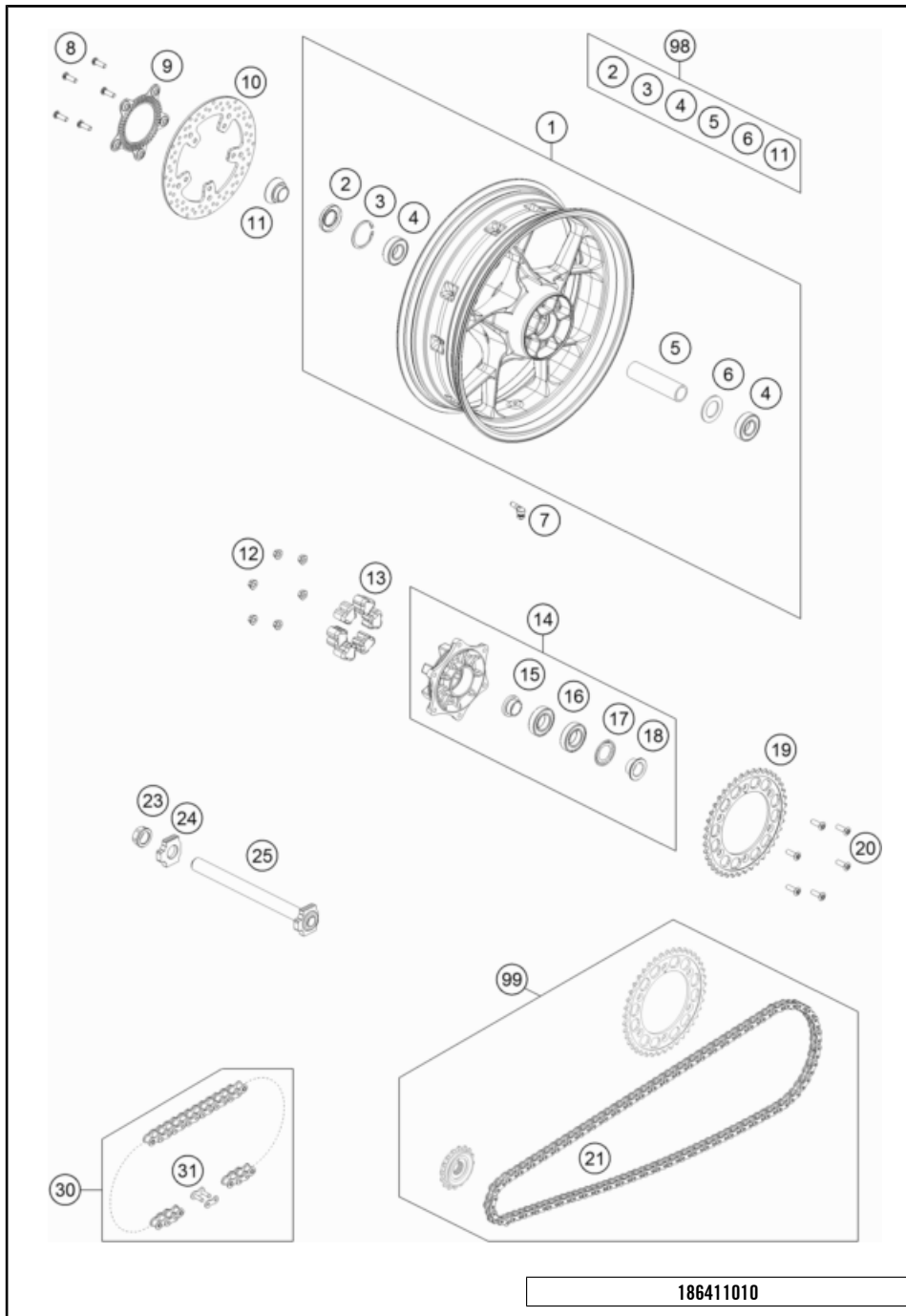
59446

* NEW PART

X ON DEMAND

REAR WHEEL

790 DUKE, grey 2023



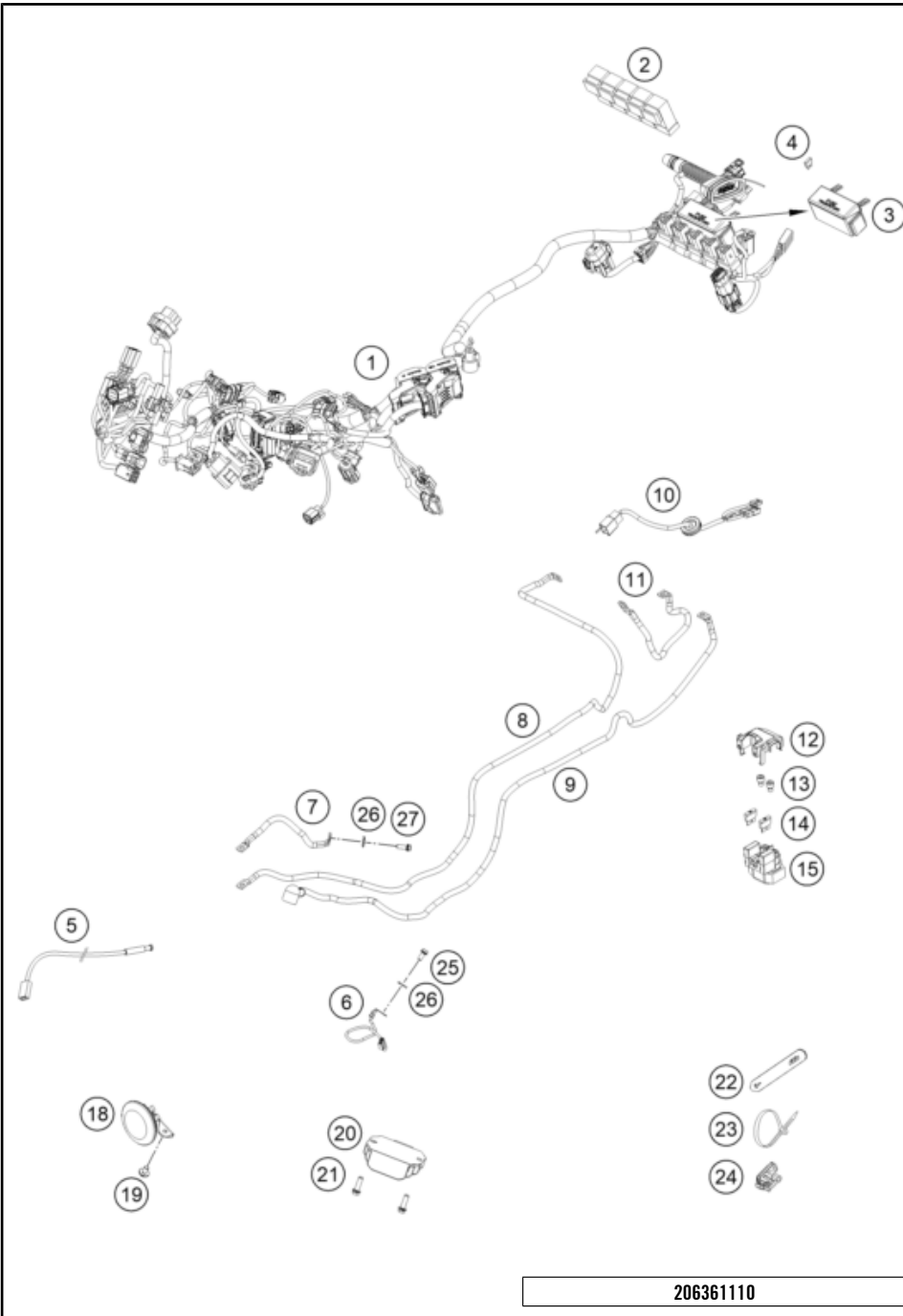
POS	PARTNUMBER		PIECE
1	C9071000103330	Rear wheel 5,5x 17 cpl. black	1
2	0760305271	SHAFT SEAL RING 30X52X7	1
3	0472052200	CIRCLIP DIN0472-52X2	1
4	0625062052	GR.BALL BEAR. 6205-2RSHC3HMTF7	2
5	60010011000	BEAR. SPACERTUBE L=124,8MM 03	1
6	60010015000	SPACER RING 03	1
7	C90709076000	Angle valve	1
8	C90709062000	SPECIAL SCREW M8X25 SS TX40	5
9	C90742021000	Rear sensor wheel	1
10	64110060000	Rear brake disc 240x5mm	1
11	C90710013000	spacer rear wheel right	1
12	06923080003	hex nut EN 1661 M8 WS13	6
13	C90710459000	RUBBER DAMPING BLOCK '91	6
14	C90710050044C1	Rear sprocket carrier black complete	1
15	C90710014000	SPACER BUSH. SPR. SUPP. IN.	1
16	C0410003001300	BALL BEARING 6006 DDU2CG23S6NM	2
17	C90710016000	NILOS RING 6006AV	1
18	C90710012000	SPACER BUSH. SPROCKET SUPP.	1
19	C90710051041	sprocket	1
20	C0000190802600S	COUNTER-SUNK SCREW ISA45 M8X26	6
21	64110065116	Chain x-ring 116 rolls endless	1
23	C90710086000	COLLAR NUT M25X1,5 WS=32 05	1
24	C90710084000	CHAIN TENSIONER R/S LC8 03	1
25	69010181044	Rear axel cpl.	1
30	76910065118	chain DID 118 roll	x
31	76910066000	Rivet link chain DID 520 VP2-T	x
98	C90710015000	Rear Wheel Repair Kit	x
99	SPAB16G413M116E	Drivetrain kit 16Z/41Z	x

186411010

59447

* NEW PART

X ON DEMAND



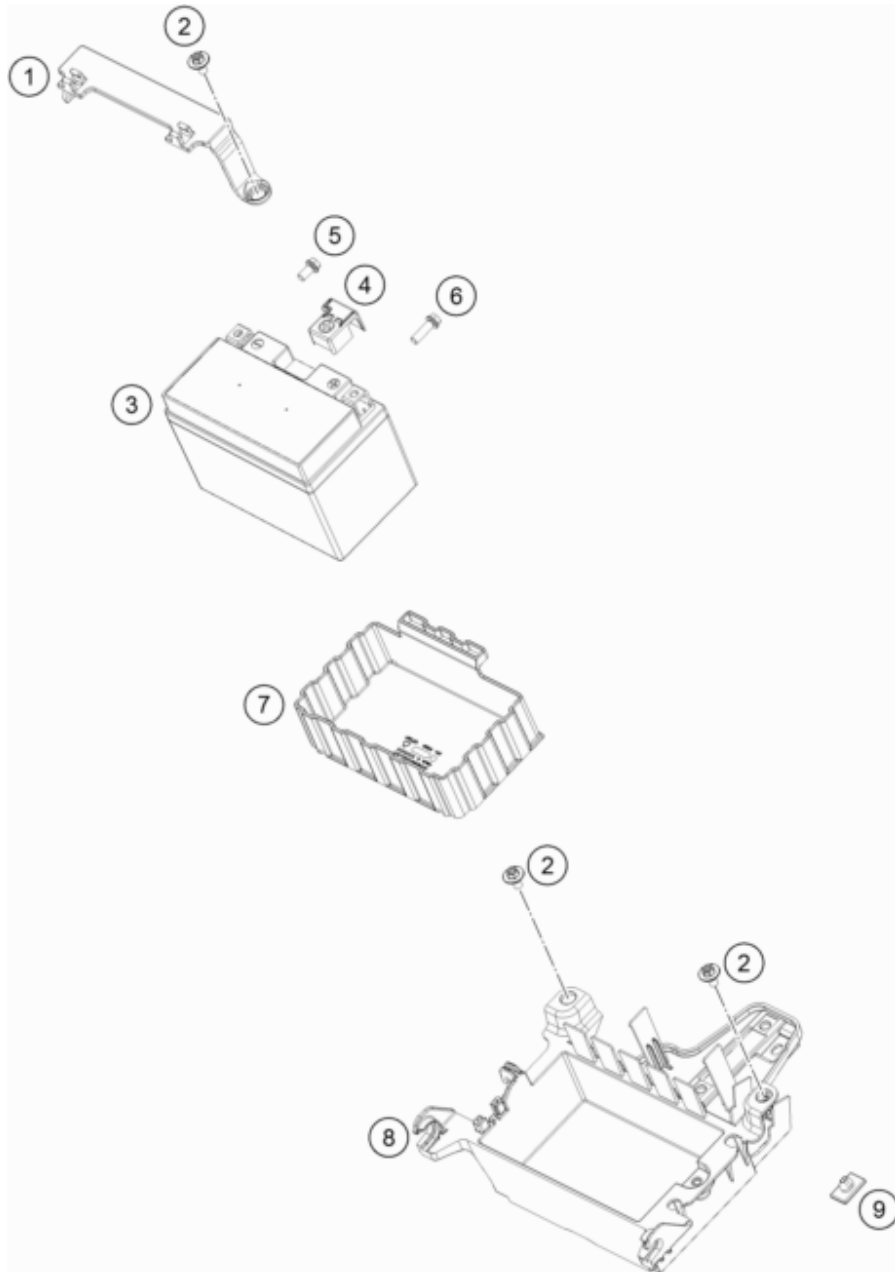
POS	PARTNUMBER		PIECE
1	63611075100	Main wiring harness	1
2	61111057000	RELAY CM1A-R-12V-H80 07	5
3	75011087050	RUBBER CASING FOR FUSE BOX	1
4	75011088010	FUSE 10A 07	x
5	61111018100	TEMPERATURE SENSOR	1
6	C90711197000	Ground wire tank/frame	1
7	C90011096000	mass cable starter-frame	1
8	C90711097000	mass cable starter-battery	1
9	C90711059000	Starter cable	1
10	C90111076033	Rear Harness cpl.	1
11	C90711059050	Battery cable	1
12	C90711058010	Protection cap starter relay	1
13	0738060101	COU.SUNK SCR. AH ISO7380 M6X10	2
14	C90711109030	FUSE 30 A	2
15	76211058000	STARTER RELAY 07	1
18	C90711060033	Horn cpl.	1
19	0024060106	HH COLLAR SCREW M6X10 TX30	1
20	60311034000	VOLTAGE REGULATOR	1
21	C0000250602000S	HH collar screw M6x20 TX30	2
22	C90711093045	RUBBER CABLE TIE 45MM 03	x
23	C90011076140	CABLE TIE 140/2,5MM BLACK	x
23	C90711076250	CABLE TIE 200/3,6MM BLACK	x
24	C90711092000	CABLE TIE W. SOCKET D=6,5	1
25	C0000250601200	Hexagon collar screw M6x12 ISA30	1
26	58411098100	CONTACT WASHER M6 VSV-K6	2
27	C0000250601600	Hexagon collar screw M6x16 ISA30	1

206361110

59449

* NEW PART

X ON DEMAND



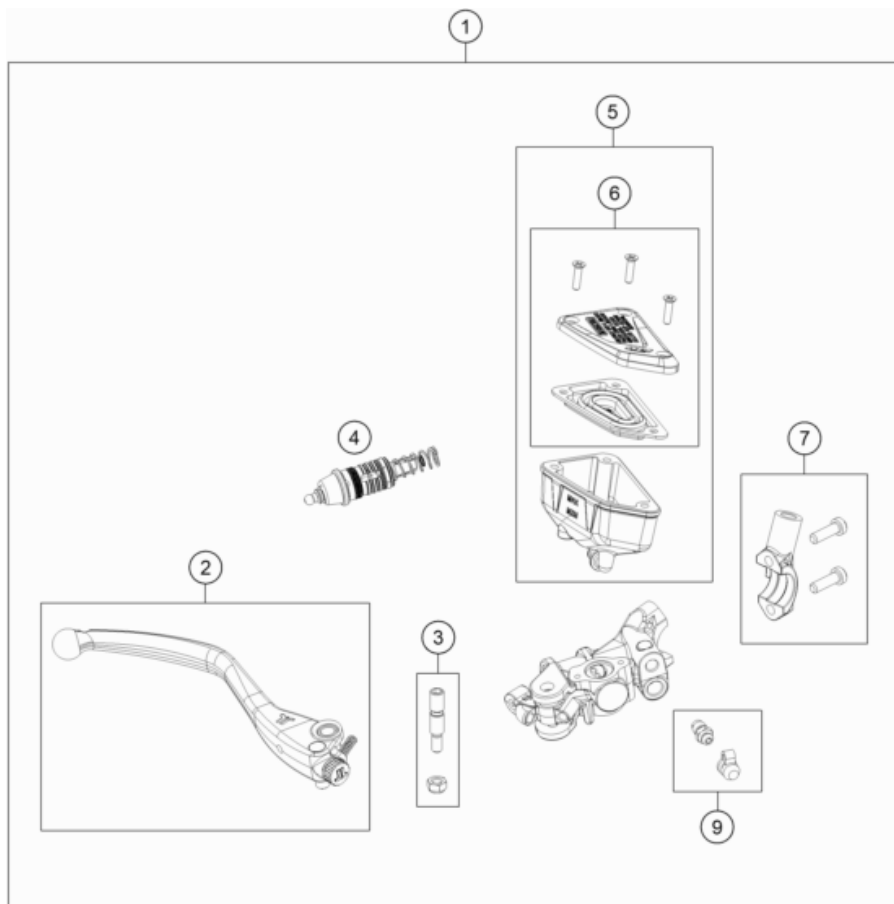
POS	PARTNUMBER		PIECE
1	C90711055000	Tension bracket	1
2	C90708000012	special screw M6x12x3	3
3	C90111053000	Battery HTZ12A-BS(DA) charged	1
4	C90711059060	Positive terminal cover	1
5	C0000250601200	Hexagon collar screw M6x12 ISA30	1
6	C0000250602000	HH collar screw M6x20 ISA30	1
7	C90711053050	Accumulator Casing	1
8	C90711054000	Battery carrier	1
9	C90707040041	Isolation pad	1

186411130

59450

* NEW PART

X ON DEMAND



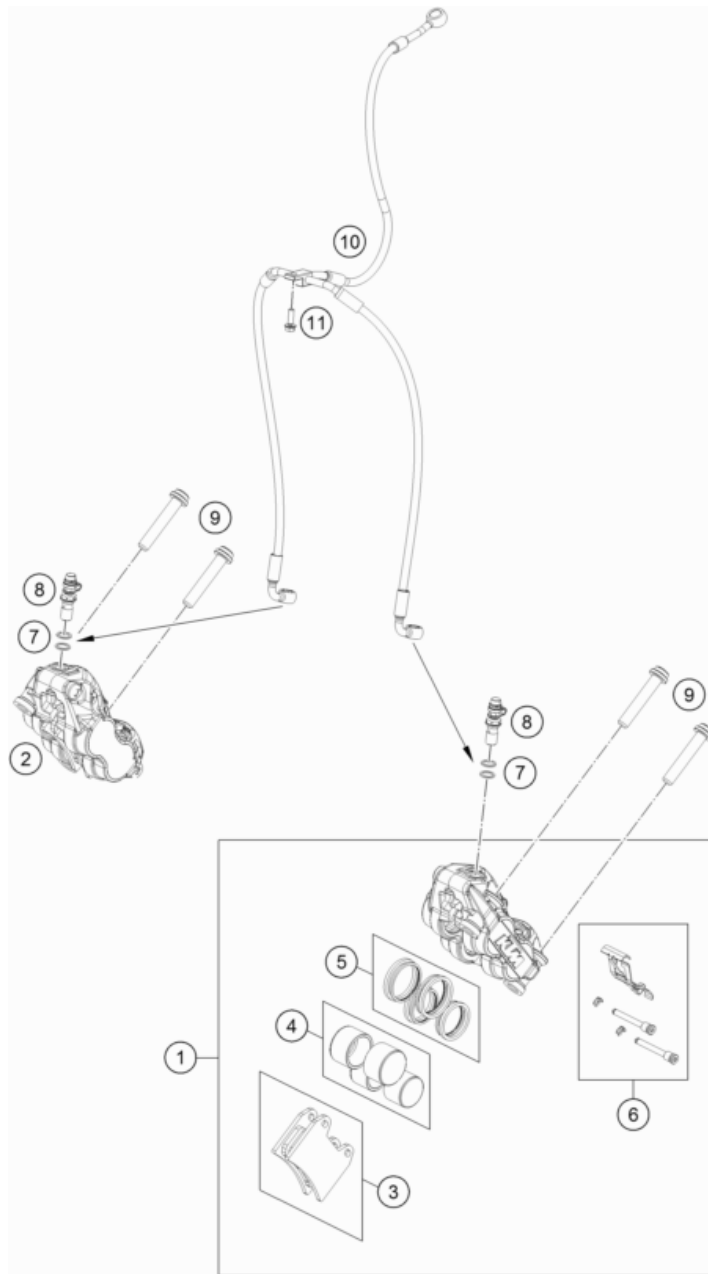
POS	PARTNUMBER		PIECE
1	A65413001033C1	Front master cylinder cmpl. blk.	1
2	64113002000C1	Front brake lever	1
3	64113006000	Lever bolt cpl.	1
4	64113008000	Piston assembly	1
5	64113029044	Reservoir assembly	1
6	64113031000	Reservoir cap cpl.	1
7	6411300500030	Clamp	1
9	64113020000	Bleeder + cap	1
10	C90142005000	Brake line front master cylinder	1
11	62113020100	banjo bolt M10x1x19.5	1
12	0603100141	sealing ring DIN 7603 10x14x1	2

186411310

59451

* NEW PART

X ON DEMAND



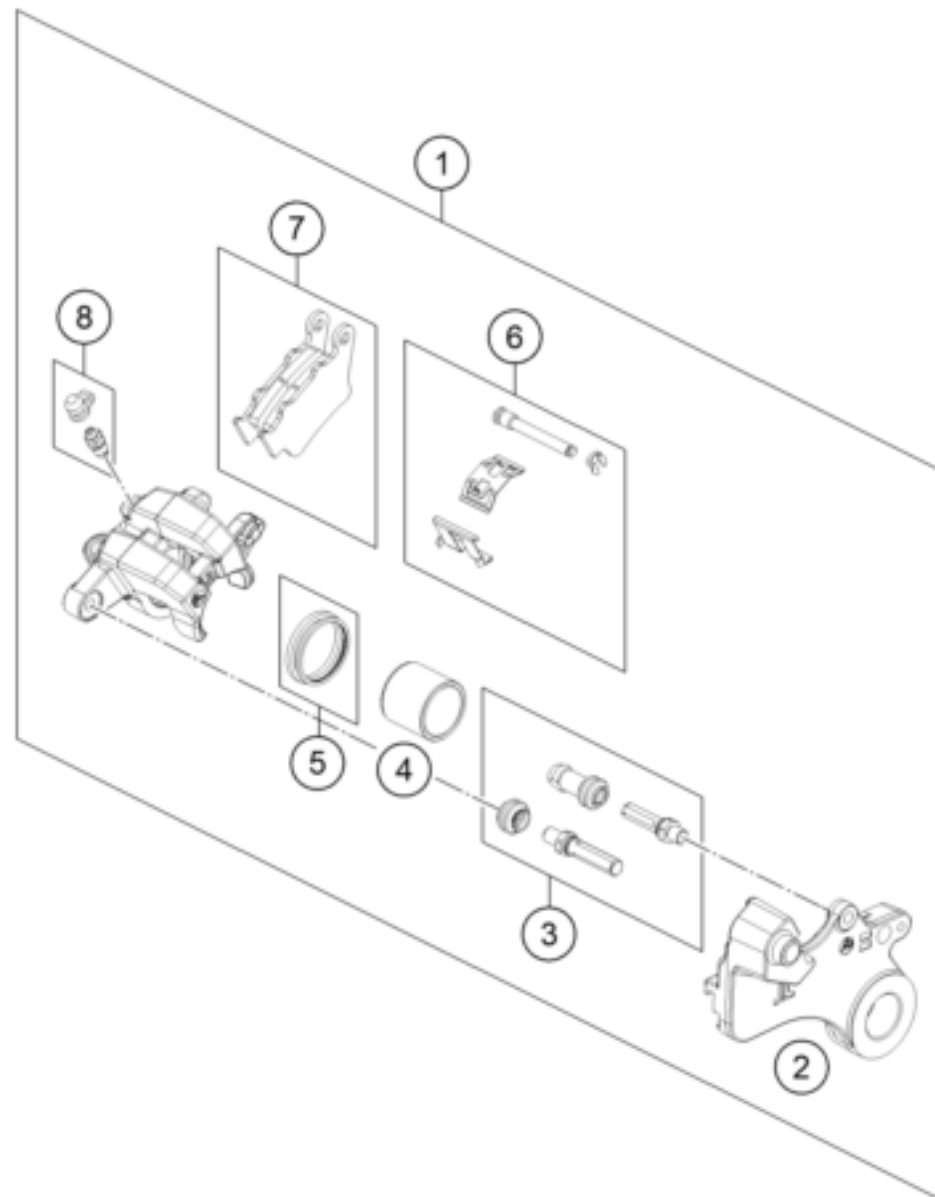
POS	PARTNUMBER		PIECE
1	A65413115000	Front brake caliper, left	1
2	A65413116000	Front brake caliper, right	1
3	63613030000	Front brake pad	2
4	63513019000	Piston set	2
5	63613021000	Seal set	2
6	64113017000	Retaining spring set	2
7	0603100141	sealing ring DIN 7603 10x14x1	4
8	62513020000	BLEEDER SCREW CPL. 05	2
9	C0000351005500S	AH-COLLAR SCREW M10X1,25X55SS	4
10	C90142003000	Brake line brake caliper front	1
11	C0000250601200	Hexagon collar screw M6x12 ISA30	1

186411360

59457

* NEW PART

X ON DEMAND



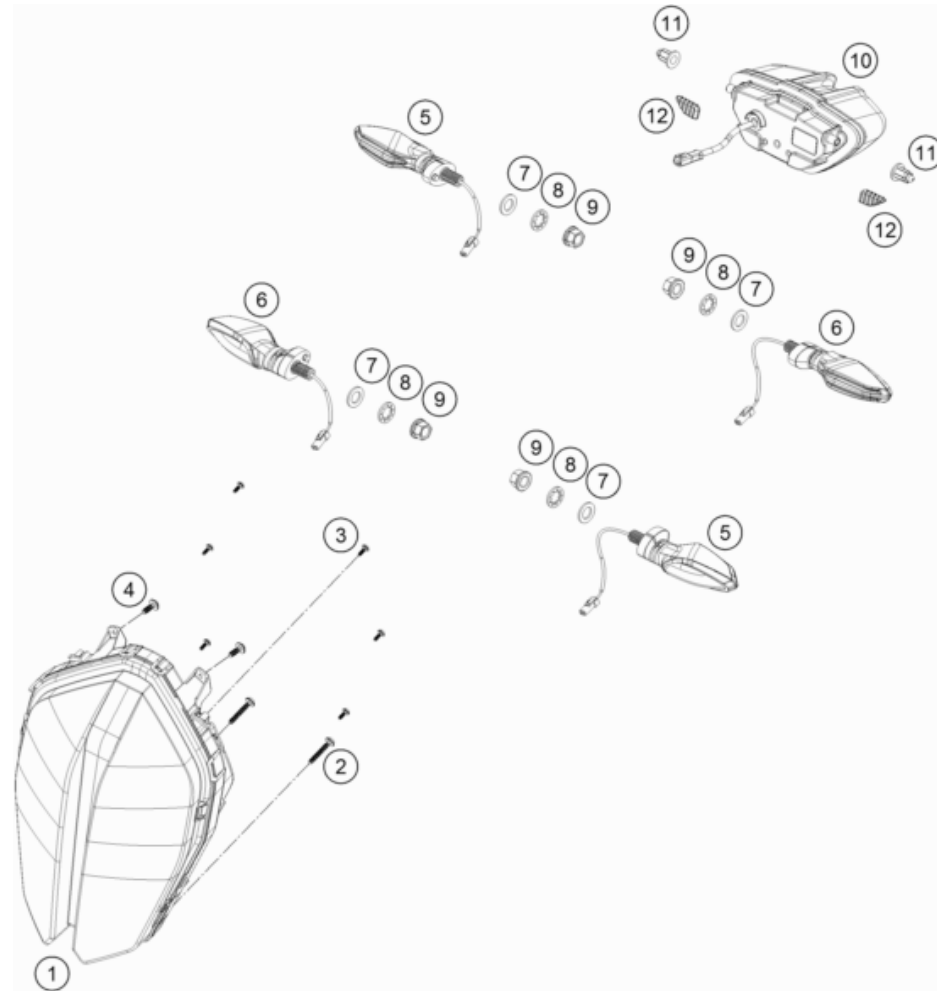
POS	PARTNUMBER		PIECE
1	A65413180000	brake caliper rear	1
2	64113075000	Brake caliper bracket rear	1
3	64113084000	Cup set	1
4	64113083000	Piston	1
5	64113081000	Square and dust seal set	1
6	64113085000	Retaining spring set	1
7	64113090000	Brake pad set	1
8	64113020000	Bleeder + cap	1

186411390

59458

* NEW PART

X ON DEMAND



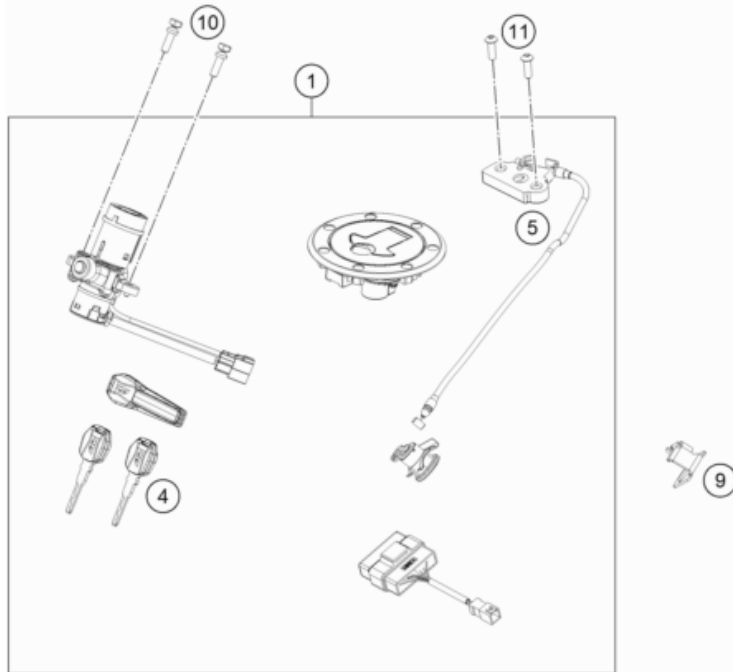
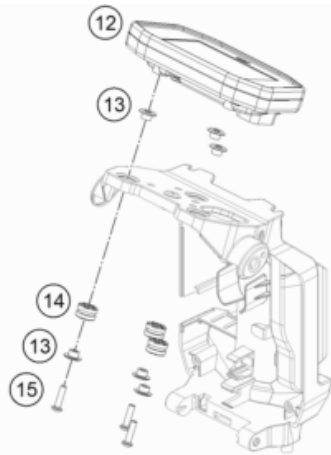
POS	PARTNUMBER		PIECE
1	63614001000	Headlight	1
2	0081040253	Ejot PT screw 4x25 WN 5451	2
3	0081030081	Ejot PT screw 3x8 WN 5451 black	6
4	0081045121	SCREW FOR PLASTIC K45X12 T20	2
5	C90714025000	turn signal front left/rear right	2
6	C90714026000	turn signal front right/rear left	2
7	0433100003	WASHER 18x10,5x1,6	4
8	0797100003	LOCK WASHER DIN6797-J10,5 ZI	4
9	58414030000	HH COLLAR NUT M10X1,25 WS=13	4
10	64114040000	Tail light	1
11	C90708015060	Rubber damper top	2
12	C90708015070	Rubber damper bottom	2

186411410

59459

* NEW PART

X ON DEMAND



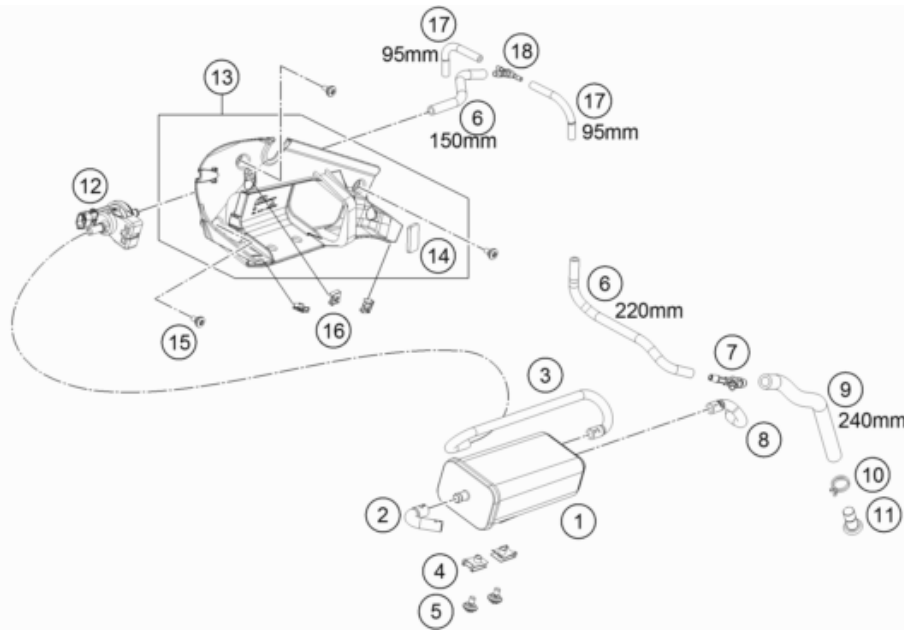
POS	PARTNUMBER		PIECE
1	64111066044	Lockset CPL.	1
4	64111067000	KTM ignition key	1
4	64111067010	Blank Key KTM	x
5	64107050000	Seat lock	1
9	C90707051000	Cable bracket lock	1
10	76011064200	Tear-off screw M6 ignition lock ISA30 MK	2
11	0991060203	FLAT H.SCREW DIN7991-M6X20	2
12	A65414069000	Dashboard	1
13	C90714069050C1	Bushing, speedometer bracket	6
14	C90714069051	DAMP. COMPONENT SPEEDOMETER	3
15	0738050202	Lens head screw ISO 7380-M5X20A2	3

186411430

59460

* NEW PART

X ON DEMAND



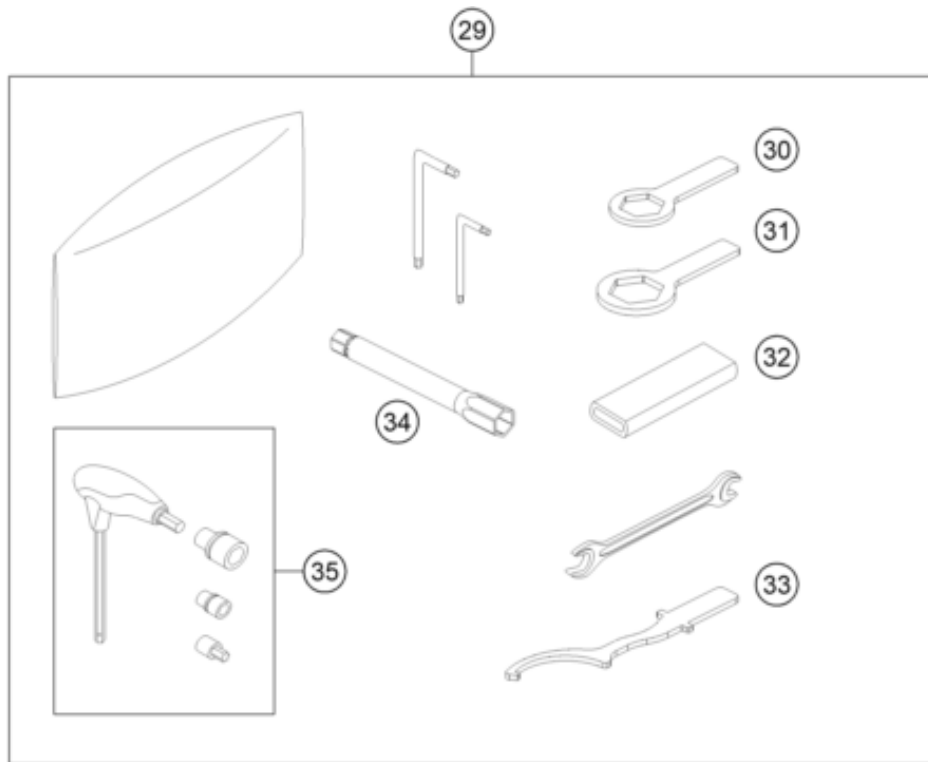
POS	PARTNUMBER		PIECE
1	C90715001000	Evaporative canister	1
2	C90715021000	Hose evaporative canister bleeder	1
3	C90715022000	Hose evaporative canister purge valve	1
4	54603048300	RANGE CHANGE METAL NUT M6 INOX	2
5	C90708000012	special screw M6x12x3	2
6	78015019000	HOSE EPA D=6/10 L=2000MM	x
7	C90715028000	Y-Stück YS 6-10-6	1
8	64115023000	Molded hose ACF	1
9	78015119000	HOSE EPA D=10/16 L=2000MM	x
10	C90731082000	Schlauchklemme Draht D=15.5	1
11	C90715026000	Verschlussstopfen AKF	1
12	76015015000	EVAP valve	1
13	C90703081044	Fairing frame left complete	1
14	64108070040	Metamoll f. frame cover	1
15	C90708021160	Special screw M5x12	3
16	69008021080	clip nut M5	3
17	78015021000	HOSE EPA D=4/8 L=2000MM	x
18	C90015126000	Tube conector	1

186411510

59461

* NEW PART

X ON DEMAND



OHNE ABBILDUNG
WITHOUT ILLUSTRATION

0

TECHNISCHE DOKUMENTATION
TECHNICAL DOCUMENTATION

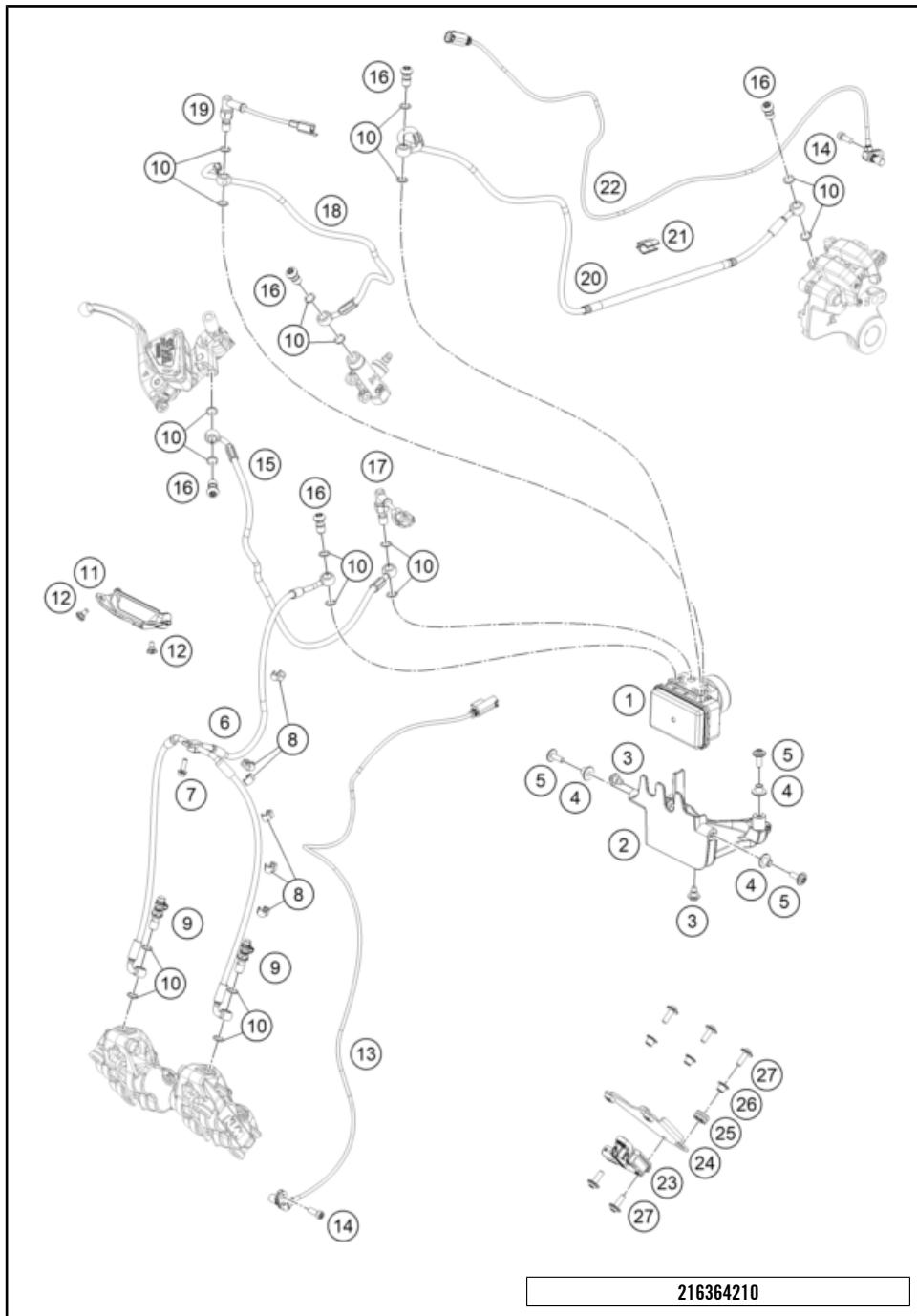
1

186412000

POS	PARTNUMBER		PIECE
0	C90708021160	Special screw M5x12	2
0	C90712040000	MIRROR L/S	1
0	C90712041000	MIRROR R/S	1
0	C90712008000	Grip handle passenger	1
0	00063004106	SPIRALHÜLSEN LC4 + LC8	2
0	00063004108	Bubble wrap blanks 80MY	2
0	00063004204	Self-ad. stkr. 100X200 mm, perf., art. 3	2
0	C90708023010	Splash protection	1
0	54603048600	RANGE CHANGE METAL NUT M5 INOX	2
0	0081250181	SCREW FOR PLASTIC 50X18 T20	2
0	00063004202	PRINT LABEL 60X51 MM	1
0	00063004012	HEADLIGHT MASK BOX	1
0	C90712085000	Bracket reflector	1
0	C90712082000	Rear reflector red	1
0	C90708061050	Rubber washer 6.5x14x2.3	2
1	C3214405EN	Owner's manual 750 Duke, o/g US 2022	1
29	C90129099000	Tool set	1
30	76029063000	RING WRENCH SW27	1
31	60012060032	RING WRENCH 32MM	1
32	60012060000	GRIP FOR RING WRENCH	1
33	76029062000	HOOK WRENCH F. SHOCK ABSORBER	1
34	75029072000	SPARK PLUG WRENCH	1
35	60029070100	T-WRENCH WS=6/8/10/17	1

59463

* NEW PART X ON DEMAND



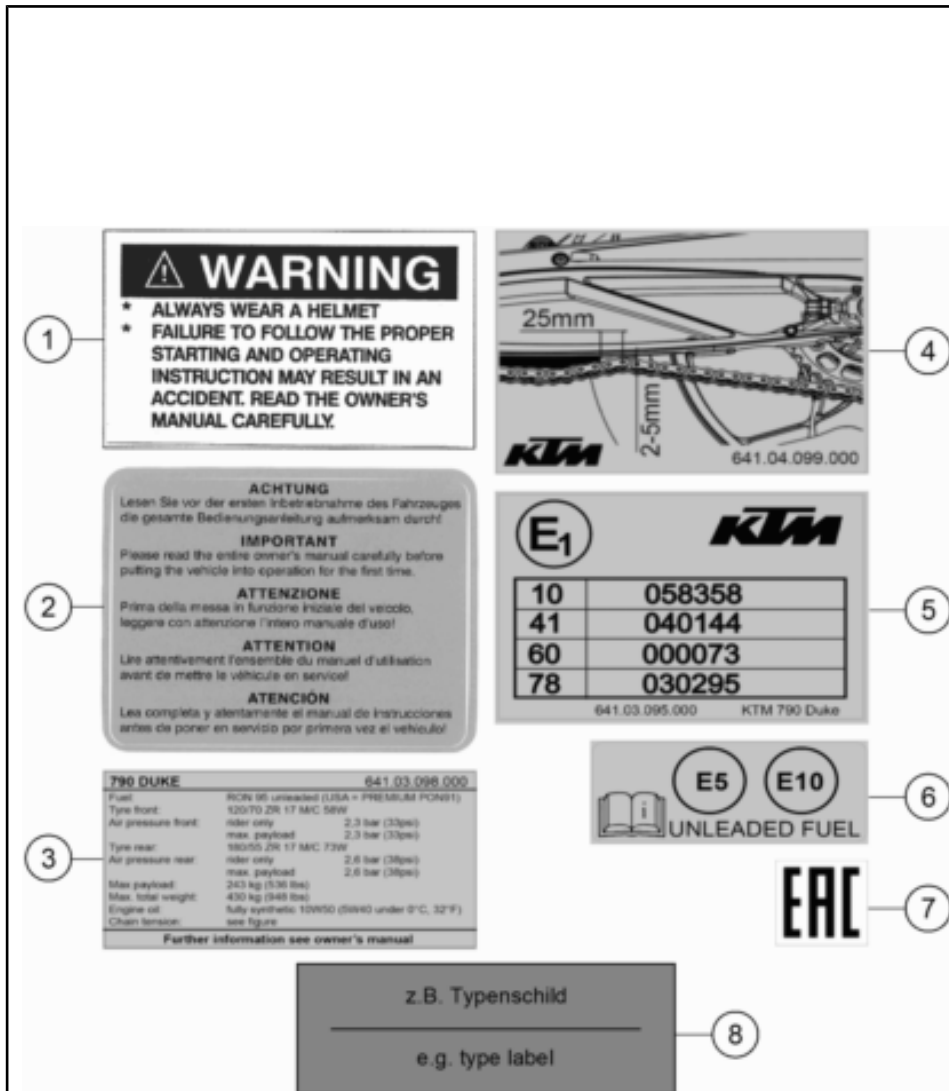
216364210

POS	PARTNUMBER		PIECE
1	61742031044	ABS module filled	1
2	C90742040000	Bracket ABS modulator	1
3	59001092050	SPECIAL SCREW M6X12,5 WS=8	2
4	61342041100	Collar bushing 6,5x9x18x8,5	3
5	C90714017000	SPECIAL SCREW M6X18 ISA30 08	3
6	C90142003000	Brake line brake caliper front	1
7	C0000250601200	Hexagon collar screw M6x12 ISA30	1
8	C90711094000	BAR SPACER 4/7 BLACK	6
9	62513020000	BLEEDER SCREW CPL. 05	2
10	0603100141	sealing ring DIN 7603 10x14x1	18
11	63642003070	Brake line guide	1
12	C0000250501200	HH collar screw M5x12 TX30	2
13	90142125000	ABS SENSOR	1
14	014580060166	SHCS ISO 14580 M6x16	2
15	C90142005000	Brake line front master cylinder	1
16	62113020100	banjo bolt M10x1x19.5	5
17	63711051000	Brake light switch	1
18	A65442102000	Brake line, rear	1
19	62111051000	BRAKE LIGHT SWITCH REAR	1
20	A65442104000	Brake line, rear	1
21	C90713026100	Hose bracket 10/4	1
22	76042125000	ABS-SENSOR	1
23	61542090000	Angle sensor	1
24	C90742090050	Retaining bracket 6D sensor	1
25	C90742041000	Damper ABS modulator	1
26	61342041100	Collar bushing 6,5x9x18x8,5	3
27	C90714017000	SPECIAL SCREW M6X18 ISA30 08	5

59464

* NEW PART

X ON DEMAND



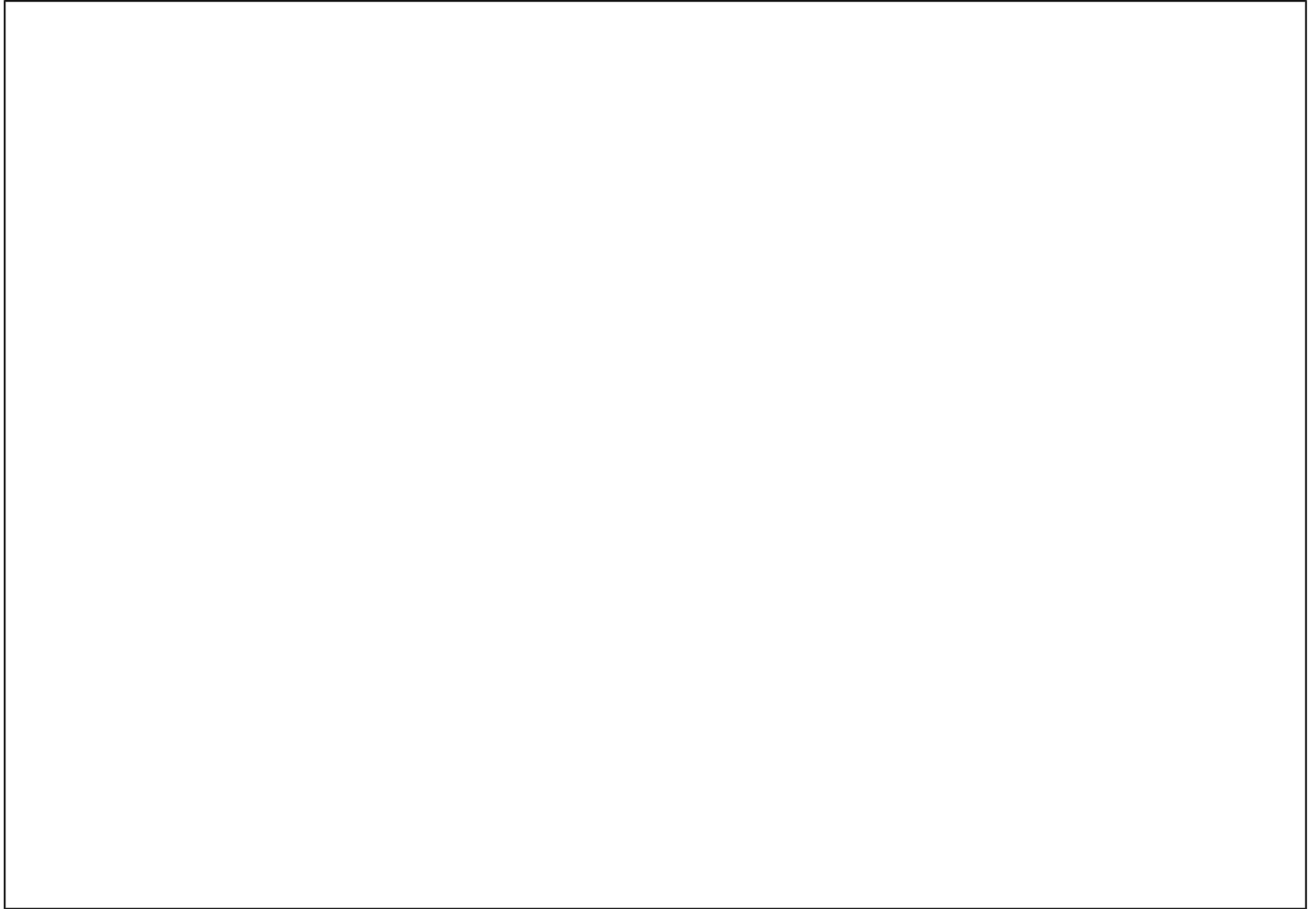
POS	PARTNUMBER		PIECE
1	C90703098003	Warning sticker 3	1
2	C90707098000	Owner's manual sticker	1
3	C90703098000	Sticker technical information	1
4	C90704099000	decals chain tension	1
5	C90703095000	"Decal ""ECE""	1
6	C90707097000	Sticker fuel labelling	1
7	C90703094000	""Sticker ""EAC""	1
8	L122-A654-2A	Typenschild EU KTM	2

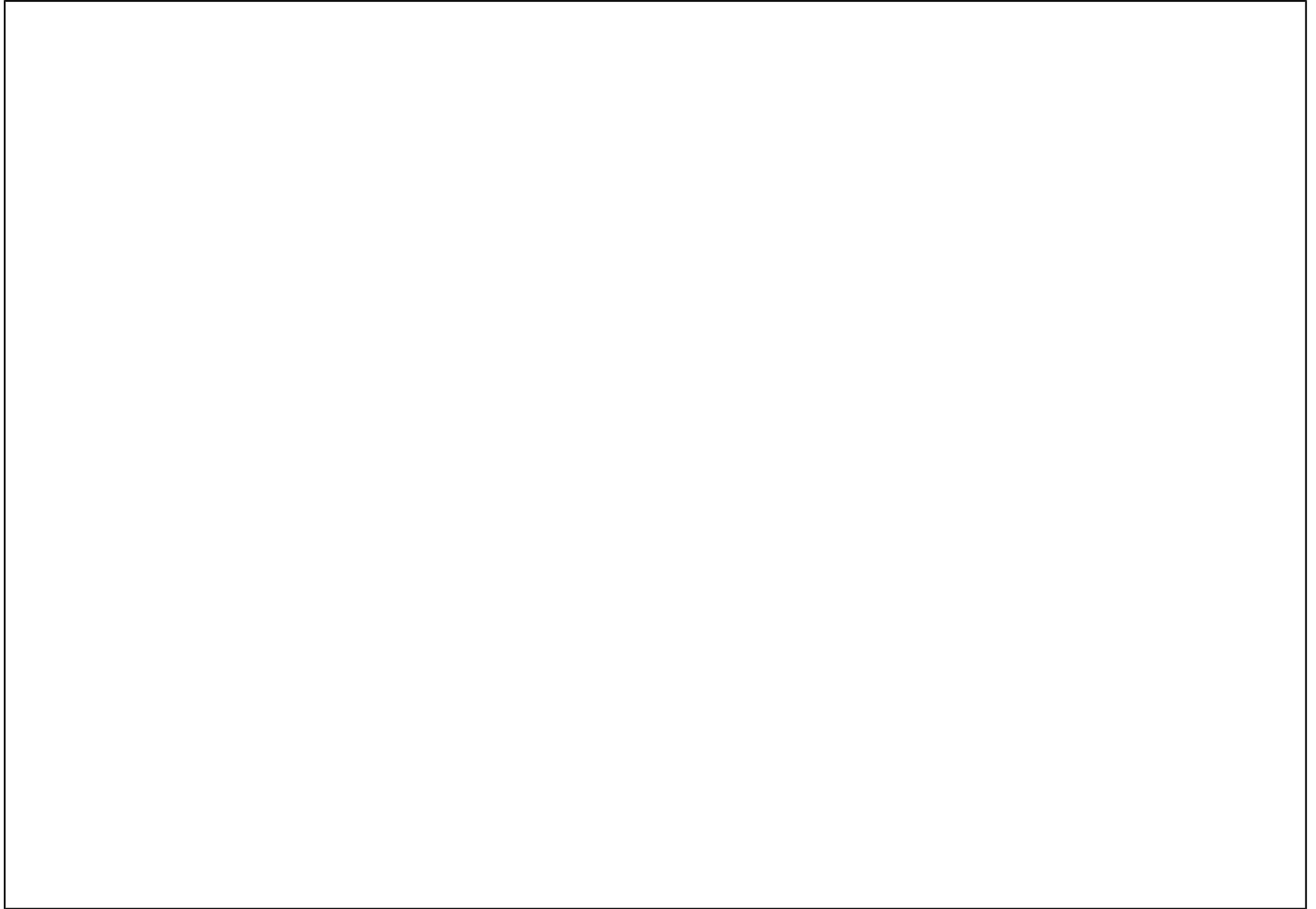
206418010

59465

* NEW PART

X ON DEMAND





KTM.COM



F9603WNEN

KTM Sportmotorcycle GmbH
5230 Mattighofen, Austria
www.ktm.com

KTM POWERPARTS

KTM POWERWEAR

KTM ORIGINAL SPARE PARTS

